

# Quick-Lift Rail

QLR 50i

**Intelligent lifting device which meets the highest standards of ergonomics, working environment, safety and efficiency.**

Easy to use, thanks to outstanding responsiveness, regardless of load weight.

Unique integrated mechanical and electrical swivel simplifies use and minimizes maintenance.

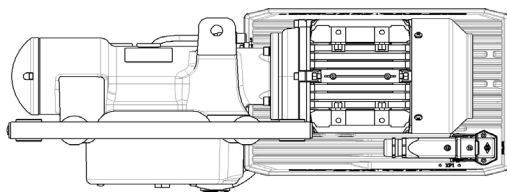
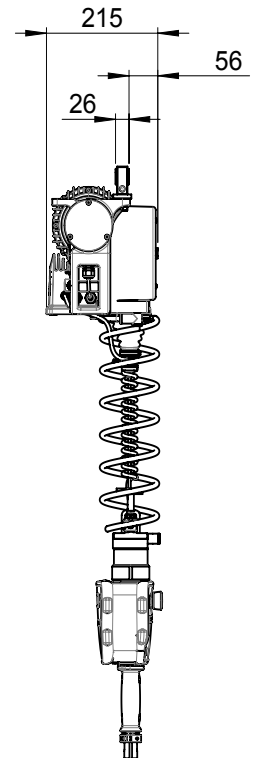
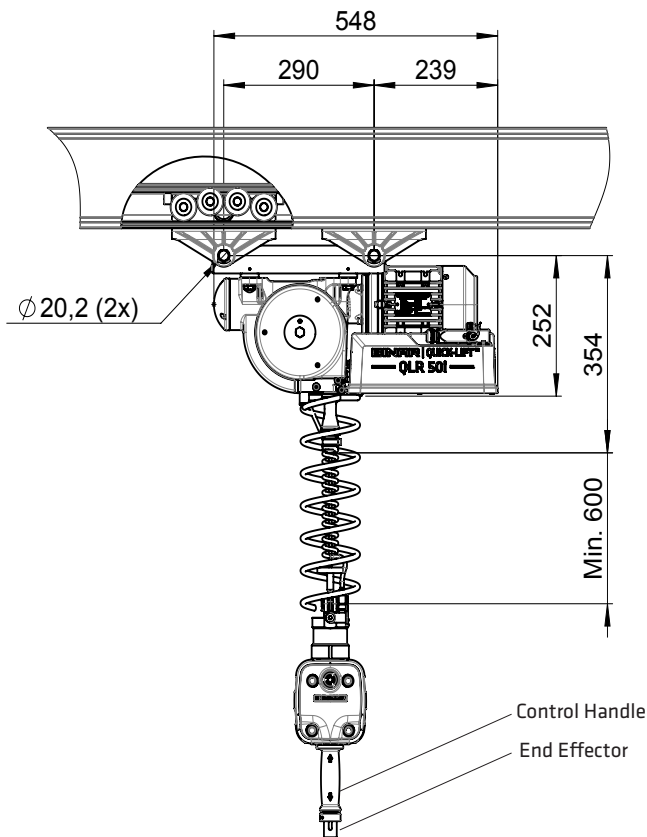
The best auto balance available regardless of load weight.

High reliability and low power consumption results in superior cost efficiency.



# Quick-Lift Rail

# QLR 50i



## TECHNICAL DATA QLR 50i

<b>Lifting capacity</b>	Max 50 kg
<b>Stroke length</b>	2,7 meter
<b>Lift motor</b>	Stepless servo-controlled asynchronous motor
<b>Weight</b>	25 kg
<b>Power supply</b>	230V, 50-60 Hz, 1-phase with ground protection, 10A
<b>Attachment</b>	The QLR 50i can be mounted in the most types of rail systems. Existing rail systems can often be used.
<b>Manoeuvring</b>	Manoeuvring is done by using a patented control handle or balancing mode. Both options sense the operator's hand/arm movement and give a very exact and smooth speed control.  Only a small force is needed to engage the up/down motion. When the operator let go of the handle, the up/down motion is immediately stopped.
<b>End effector</b>	End effectors are designed to fit customer's need. Intelligent I/O signals are available for optimum functionality.
<b>Options</b>	Pneumatic brake. Three position brake system activated via a manual push button on the control handle.  Pneumatic Stop-and-go brake. Three position laser actuated brake system.

Binar Handling AB disclaims responsibility for any errors or incomplete information in the published material and reserves the right to make changes.

## Binar Handling AB

Hedekullevägen 24 • SE-461 38 TROLLHÄTTAN • Sweden  
 telephone: +46 (0)520 47 40 00 • e-mail: info.handling@binar.se  
 www.binarhandling.com

2021-01-28 EN 3.1

**BINAR**  
 Improving your productivity