



**NEW SYSTEMS**

# GENERAL CATALOG

## Perimeter Guarding Modular Systems

### **SAFETY STANDARDS**

Fully compliant with International  
Machine Safeguarding requirements

**EN ISO 14120 / ANSI-RIA R15.06 / JIS B 9716**

**SATECH**  
Modular Machine Guards

# Working environment **safety?** An important matter.

EU and international directives establish the obligation to protect machinery with fences complying with specific construction and safety distance requirements. **Without these Guards, it is not possible for machinery to operate.**

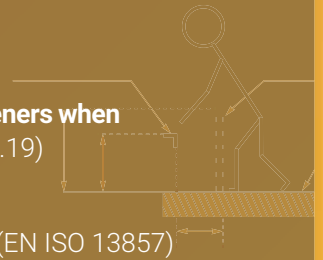
## For example, perimeter Guarding must:

**Be designed and built so as to prevent climbing** (EN ISO 14120-5.18)

**Ensure adequate viewing of production processes** (EN ISO 14120-5.2.4)

**Be equipped with retained fasteners when disassembled** (EN ISO 14120-5.19)

**Be placed at a specific distance from the danger zone** (EN ISO 13857)



## EN ISO 14120

**General requirements** for the design and construction of fixed and movable Guards - excerpts

### 5.2.5.3 - Operating force

Movable Guards or removable sections of Guards shall be designed to permit ease of operation. The observance of ergonomic principles (...) contributes to increasing safety by reducing stress and physical effort of the operator.

### 5.3.9 - Removal

Demountable fixed parts of Guards shall only be removable with the use of a tool. Fixed Guards shall be designed to prevent easy removal.

### 5.4.2 - Impact

Guards shall, as far as practicable, be designed and the material selected to withstand and contain reasonably foreseeable impacts and ejections.

### 5.23 - Appearance

Guards shall be designed so that they do not add adverse physiological and psychological effects.

### 5.16 - Noise reduction

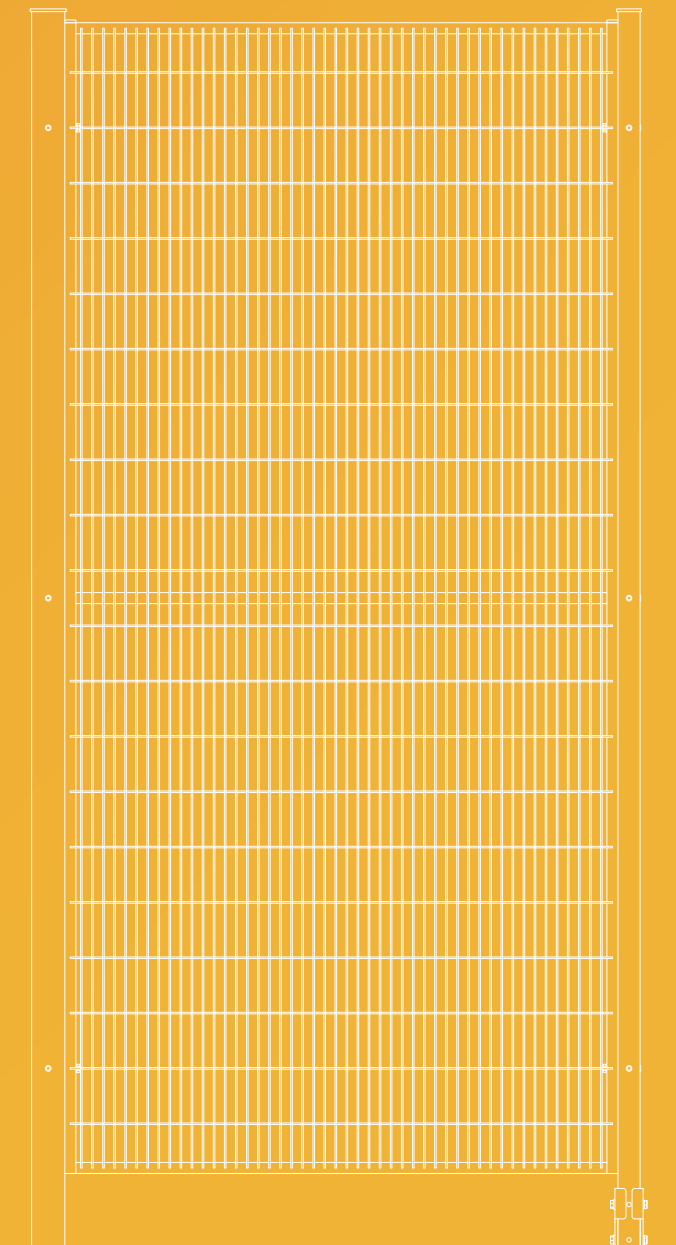
Where necessary, materials shall be selected to provide noise and vibration reduction and (...) minimize effects of resonance which can transmit or amplify noise.

### 5.4.3 - Rigidity

(...) Guard frames (...) and infill materials shall be selected and arranged to provide a rigid and stable structure and to resist deformation.

### 5.9 - Machine viewing

Where viewing of machine operation is required through the Guard, materials shall be selected with suitable properties. If (...) wire mesh is used, this should be of adequate open area and suitable colour to permit viewing. Viewing will be enhanced if the perforate material is darker than the area observed.





## The Modular Machine Guarding Solution **tailored to your need.**

Research, development, design, manufacturing, logistics and customer service: since 2000, Satech has been the **reference for industrial workplace safety.**

### **EN ISO 14120 compliant** Machine Guards Systems

Satech is the first Italian manufacturer of Modular Machine Guards Systems. A **modern international company** today, in its 20+ years of work it has contributed to the **safety** of thousands of automated machinery systems for the protection of millions of people worldwide.



**40 Countries**  
Served in 5 continents

**15,000+**  
Our customers  
in the world

**20,000+**  
Projects developed  
every year



# SATECH

Modular Machine Guards

## EN ISO 14120 compliant Machine Guards Systems

### Table of Contents

#### The Company

Satech - your ideal Partner for Industrial Safety	6
Our commitment to Environmental Sustainability	8
Solutions tailor-made for you	10

#### Safety Standards

Safety distances - EN ISO 13857	12
---------------------------------	----

#### Framed Systems

Framed panels	14
Panel options	16
Standard Solutions: Handiness - EasyGuard	18
Standard Solutions: Robustness - ImpactGuard	20
Standard Solutions: Speed - FastGuard	22

#### Frameless Systems

Frameless panels	24
Standard Solutions: Adaptability - AdaptaGuard	26

#### Doors

Standard Doors (stock)	28 - 32
Standard Doors (non-stock)	32 - 33

#### Fall Prevention Systems

Fall Prevention Guardrail - BodyGuard	34
---------------------------------------	----

#### AISI 304L Stainless Steel Solutions

Stainless Steel frameless panels	36
Standard Solutions: Safety and Hygiene - BlueGuard	38
Stainless Steel doors and accessories - BlueGuard	40

#### Locking Systems

Performance Levels - PLr	43
Locking Solutions	44 - 45

#### Accessories

Brackets for Safety Switches and Interlocks	47
Accessories for Perimeter Guards	48-51

#### CustomGuard - Personalized Solutions

CustomGuard - Colors and Finishes	52
CustomGuard - Panels and Posts	53
CustomGuard - Brackets and Doors	55

#### SatechLab - Consulting and turnkey projects

	56
--	----

#### After-Sales Services

Pre-assembly and on-site assembly	58
Customer Service	59

#### GLOBAL DISTRIBUTION AND OFFER AVAILABILITY:



Satech Solutions are distributed in over 40 Countries worldwide, locally.

Systems composition, product availability and technical specifications might vary depending on your geographic area of interest.

Your local Satech Representative is available to help you choose and to provide you with the latest information.

#### ORDER PREPARATION TIMES:



The stated "minimum order preparation times" may vary depending on the time of year, workloads, stock availability and/or local market conditions. They can be confirmed accurately only after the Order Confirmation.

#### IMAGES AND TECHNICAL DATA:

Images and technical specifications in this catalog are for illustrative purposes only and are current at the time of publication. Satech's policy is one of continuous improvement, so products distributed may undergo changes or updates.

@Satech: the contents of this catalog are protected by copyright and, therefore, may not be reproduced for commercial purposes without explicit permission from Satech.

To learn about the latest news, please contact your usual Satech representative and visit our website at [www.satech.it/en](http://www.satech.it/en)

# Satech, your ideal partner for Industrial Safety

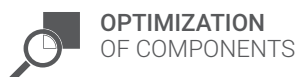
We are the first Italian Company that's specialized in the manufacturing of Standard-compliant Modular Machine Guard Systems. Since 2000, we have been designing Industrial Safety Solutions with high-quality products that are modular and easy to assemble.



## Tailor-made Solutions

### Your need, our Solution

Each machinery layout features specific requirements. Our modular, stock-ready Guards - both fixed and movable - provide the perfect Solution to most of customer needs in all industrial sectors. Our Quotations Team will best advise you on how to optimize our modules to get the right fit for your needs.



## Technology

### Automation

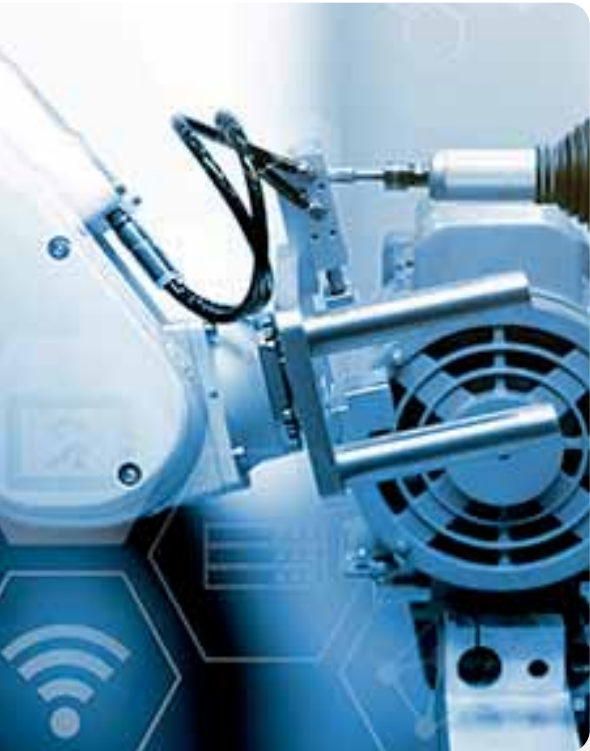
Our robots and machinery 4.0 are controlled by state-of-the-art software to ensure the perfect integration and control of any process: from laser cutting to panel welding, from painting to packing and shipping.



**4** Direct offices  
Between Europe and Japan

**5** Standard Systems  
stock-ready

**20K** Square meters  
of production area



### ISO 9001 System

Satech considers Quality as an integral part of its Value proposition. The ISO 9001 certified Quality system ensures the highest degree of efficiency in all our processes.

## Craftsmanship

### Details that make the difference

Customizations of our products are carried out by the Custom**Guard** team, which takes care of every detail with craftsmanslike attention. Additionally, the Satech**Lab** Team is able to develop and deliver turnkey projects by integrating our Standard Solutions with tailor-made Products.



# Environmental Impact

## Our commitment to sustainability

We strive to reduce the impact on the Planet through an ISO 14001 certified environmental management system. Our productive processes are constantly analyzed and refined in order to improve their sustainability over time.



### Self-production of clean energy


The self-production of renewable energy is a topic that we take very seriously. More than half of our Smart Factory's energy needs are covered by a **system of solar panels** installed on **6,000 m<sup>2</sup>** of roofing at our Bulciago Production Facility.



### Use of recycled raw material

The consumption of natural resources is one of the factors that has the greatest impact on sustainability. More than 70% of the **steel** we use comes from **recycled raw material**.

 **50% ELECTRICITY**  
BEING SELF-PRODUCED

 **70% STEEL**  
FROM RECYCLED  
MATERIAL



**Concrete Actions**  
to protect the Environment

**Centralized Air Conditioning**

Besides producing our own electricity, we limit its consumption as much as possible. A system of electric pumps distributes air conditioning to the office building - no fossil fuel needed.

**Timed lighting system**

The lighting system installed in our Production Facility is energy-efficient. A timer limits the use of artificial lights only to necessary hours.

**Wastewater recovery**

Water is the most important resource on the Planet. Our Smart Factory employs a modern recovery system that cleans industrial wastewater and feeds it back into processes. This reduces the amount of waste produced and water consumed.



**Certifications**

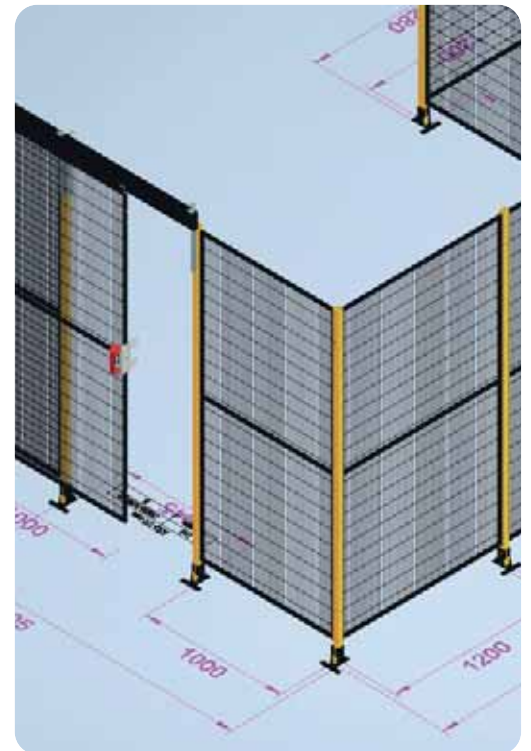
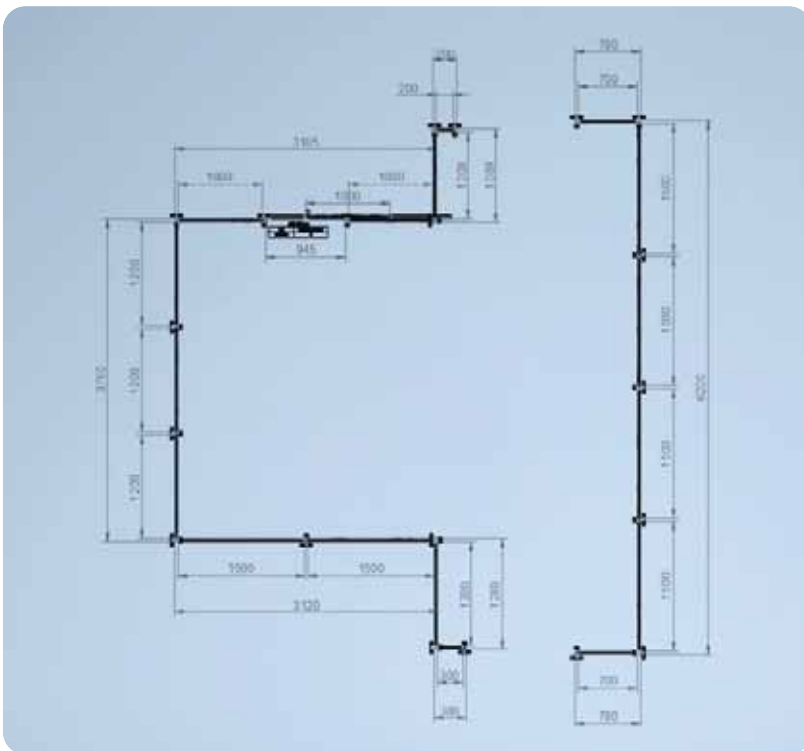
**ISO 14001 environmental management**

Through the development and maintenance of an **ISO 14001 certified environmental management system**, we commit to prevent water, air, and soil pollution by minimizing waste generation and by limiting the consumption of natural resources.



# Autocad® and Inventor Design Solutions tailor-made for you

Our Quotations Department specializes in developing industry-dedicated solutions as well as design proposals for different sectors. Satech projects are saved and delivered as DWG format or 3D format (STP) upon request, ensuring full compatibility with all IT standards.



## Optimization of Modular Components

Thanks to our customized Autocad® application, we are able to **optimize the choice of modular components** that will be part of your layout.

## 3D Visualization Preview

To get a concrete idea of what your Perimeter Guard will look like, you will be provided with files in DWG and STP formats, fully compatible with all design software.



### 3 Ways you can get a free, no-obligation quote

# 1

## Send us a draft of your layout

Our Quotations Department will take care of the technical drawing, optimizing the number of modules.

# 2

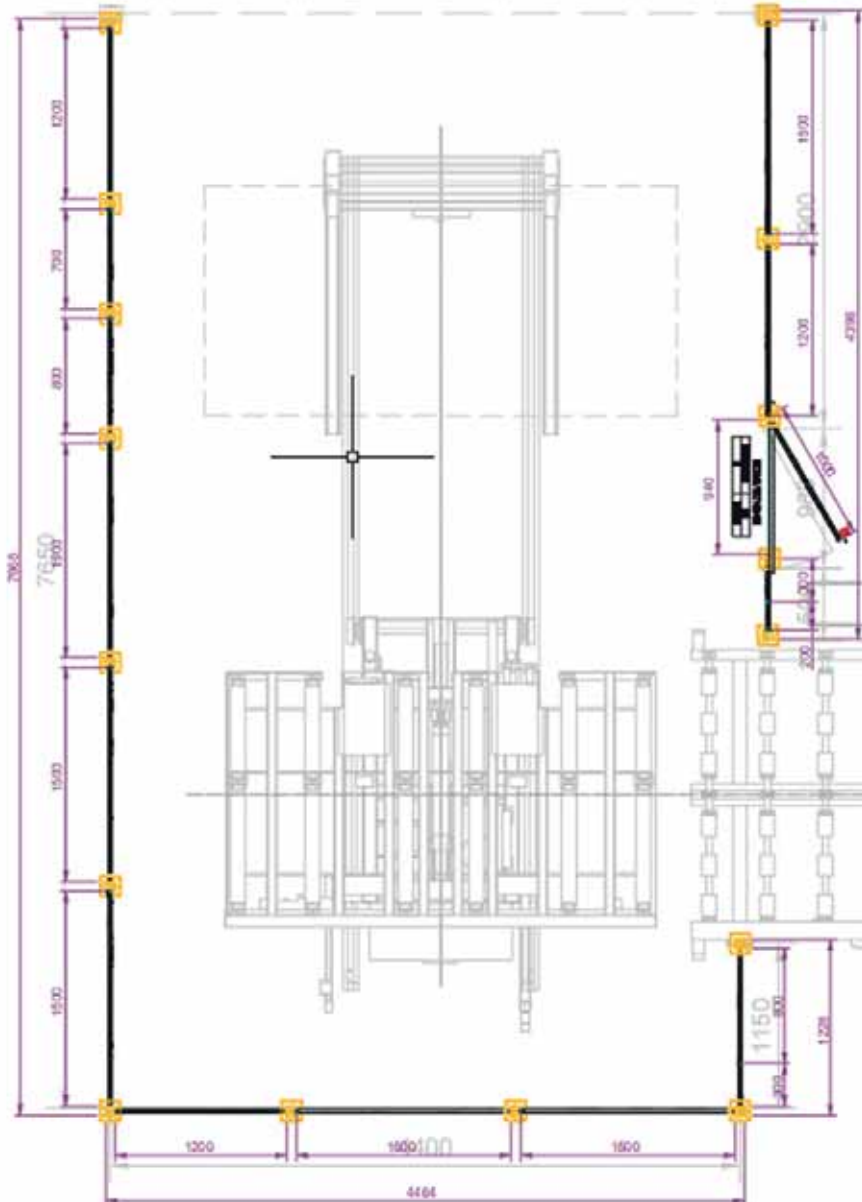
## Request 3D models of our Products

Import the models of our Guards directly into your technical drawing and send it to us to get your quotation.

# 3

## Use our free software

Draw your Perimeter Guard with our Disegna software, export the list of components directly and send it to us for quotation.



## Disegna 5.0

your perimeter in 3 easy steps

**Disegna** is the free design software for our customers and distributors that makes it easy to ask for a quote.

The simple and intuitive interface is based on the same software used by our Quotations Department and features the full database of Satech Products. **You can design starting from a blank page or by importing your existing layout** in a standard format (DWG, PDF, etc...). You will get the list of the modules for your quotation **in just 3 steps!**

Request it now! [disegna@satech.it](mailto:disegna@satech.it)

# Safety distances of Machine Guards

## Reaching over protective structures

EN ISO 13857, 4.2.2

- A** Height of hazard zone
- B** Height of protective structure
- C** Safety distance

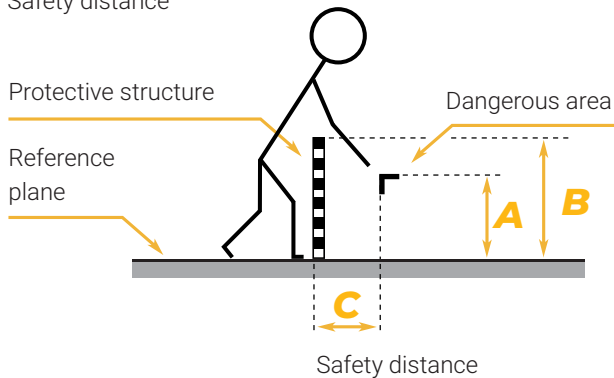


Table 2

dimensions in mm

A	Horizontal distance to hazard zone C									
	B 1000	1200	1400	1600	1800	2000	2200	2400	2500	2700
2700	-	-	-	-	-	-	-	-	-	-
2600	900	800	700	600	600	500	400	300	100	-
2400	1100	1000	900	800	700	600	400	300	100	-
2200	1300	1200	1000	900	800	600	400	300	-	-
2000	1400	1300	1100	900	800	600	400	-	-	-
1800	1500	1400	1100	900	800	600	-	-	-	-
1600	1500	1400	1100	900	800	500	-	-	-	-
1400	1500	1400	1100	900	800	-	-	-	-	-
1200	1500	1400	1100	900	700	-	-	-	-	-
1000	1500	1400	1000	800	-	-	-	-	-	-
800	1500	1300	900	600	-	-	-	-	-	-
600	1400	1300	800	-	-	-	-	-	-	-
400	1400	1200	400	-	-	-	-	-	-	-
200	1200	900	-	-	-	-	-	-	-	-
0	1100	500	-	-	-	-	-	-	-	-

## Reaching through regular openings

EN ISO 13857, 4.2.4.1



The dimension of the opening "e" corresponds to the side of a square opening, the diameter of a round opening and the narrowest dimension of a slot opening.

For openings larger than 120 mm, safety distances in accordance with point 4.2.2 shall be used.

**NOTE (1):**

If the length of the slot opening is  $\leq 65$  mm, the thumb acts as a stop and the safety distance for protective structures can be reduced to **200 mm**, resulting in **great space saving**.

Table 4

dimensions in mm

Part of body	Illustration	Opening	Safety distance Sr		
			Slot	Square	Round
Fingertip		$e \leq 4$	$\geq 2$	$\geq 2$	$\geq 2$
		$4 < e \leq 6$	$\geq 10$	$\geq 5$	$\geq 5$
Finger up to knuckle joint		$6 < e \leq 8$	$\geq 20$	$\geq 15$	$\geq 5$
		$8 < e \leq 10$	$\geq 80$	$\geq 25$	$\geq 20$
Hand		$10 < e \leq 12$	$\geq 100$	$\geq 80$	$\geq 80$
		$12 < e \leq 20$	$\geq 120$	$\geq 120$	$\geq 120$
Arm up to junction with shoulder		$20 < e \leq 30$	$\geq 850$ (1)	$\geq 120$	$\geq 120$
		$30 < e \leq 40$	$\geq 850$	$\geq 200$	$\geq 120$
Arm up to junction with shoulder		$40 < e \leq 120$	$\geq 850$	$\geq 850$	$\geq 850$

# Safety distances to prevent access by lower limbs

## EN ISO 13857, 4.3

When it is not possible to foresee upper limb access through the opening, it is possible to use the values given in this Table to determine safety distances for the lower limbs.

“e” refers to the same types of opening as in chapter 4.2.4.1.

**NOTE (1):**

If the narrower slot width is  $\leq 75$  mm, distance can be reduced to  $\geq 50$  mm.

**NOTE (2):**

Slot openings with  $e > 180$  mm as well as square or round openings with  $e > 240$  mm allow access with the whole body.

Table 7

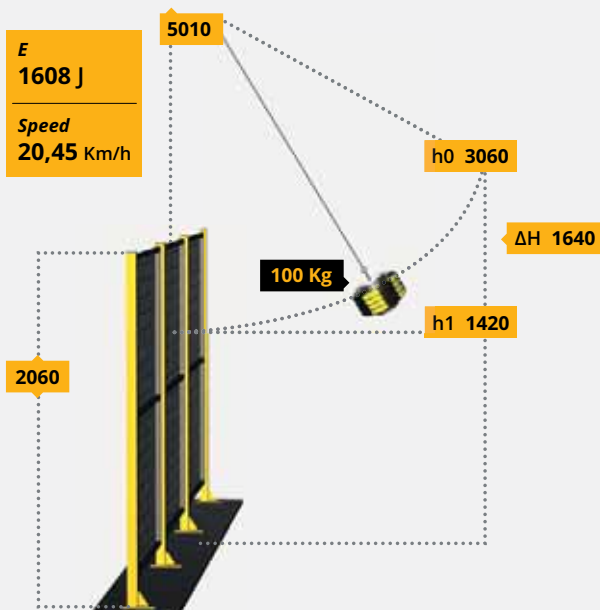
dimensions in mm

Part of lower limb	Illustration	Opening	Safety distance Sr	
			Slot	Square or round
Toe tip		$e \leq 5$	0	0
		$5 < e \leq 15$	$\geq 10$	0
Toe		$15 < e \leq 35$	$\geq 80$ (1)	$\geq 25$
Foot		$35 < e \leq 60$	$\geq 180$	$\geq 80$
		$60 < e \leq 80$	$\geq 650$	$\geq 180$
Leg (toe tip to knee)		$80 < e \leq 95$	$\geq 1100$	$\geq 650$
Leg (toe tip to crotch)		$95 < e \leq 180$	$\geq 1100$	$\geq 1100$
		$180 < e \leq 240$	not admissible (2)	$\geq 1100$

# EN ISO 14120

## Impact Test

In our dedicated **Test Center** Satech Solutions are subjected to severe **dynamic resistance tests from the inside outwards** according to the procedure contained in the EN ISO 14120 Standard (Hard body / Pendulum Test).



Mass release height from the ground (mass load center):  $h_0 = 3,060$  m  
 Mass impact height from the ground (mass load center):  $h_1 = 1,420$  m  
 $\Delta H = h_0 - h_1 = 3,06 - 1,42 = 1,64$  m



# Framed panels

## Safe, practical, resistant

Satech framed modular mesh panels are designed according to EN ISO 14120 and meet Risk Assessment safety requirements. Available with 20 or 30 mm frame, they can be assembled with 3 different assembly options.



### Easy to handle

Robust and light

With a structure that's **lightweight** yet robust, the Satech framed panel can be easily handled by just one person.

### Ready to use

Plug and play versatility

The frame comes **pre-drilled** to allow assembly with Nuts and Bolts and the installation of brackets, locks and accessories.

#### 7 standard widths, infinite possibilities

The combination of our **7 standard panels** joined together allows to create all the intermediate widths in **100 mm increments**.

7 standard widths:

200	300	700	800
1000	1200	1500	

200		
300		
400	=	200 200
500	=	200 300
600	=	300 300
700		
800		

900	=	200 700
1000		
1100	=	300 800
1200		
1300	=	300 1000
1400	=	700 700
1500		

NEW

## The Satech Modular Framed Panel

7 standard widths and 3 standard heights



DECLARATION OF CONFORMITY  
EN ISO 14120



### Visibility

EN ISO 14120-5.9

The vertical mesh shape ensures excellent machinery visibility



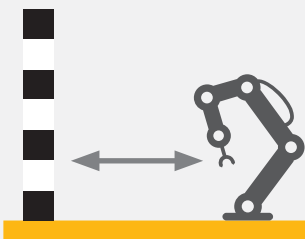
### Anti-climbing

EN ISO 14120-5.18

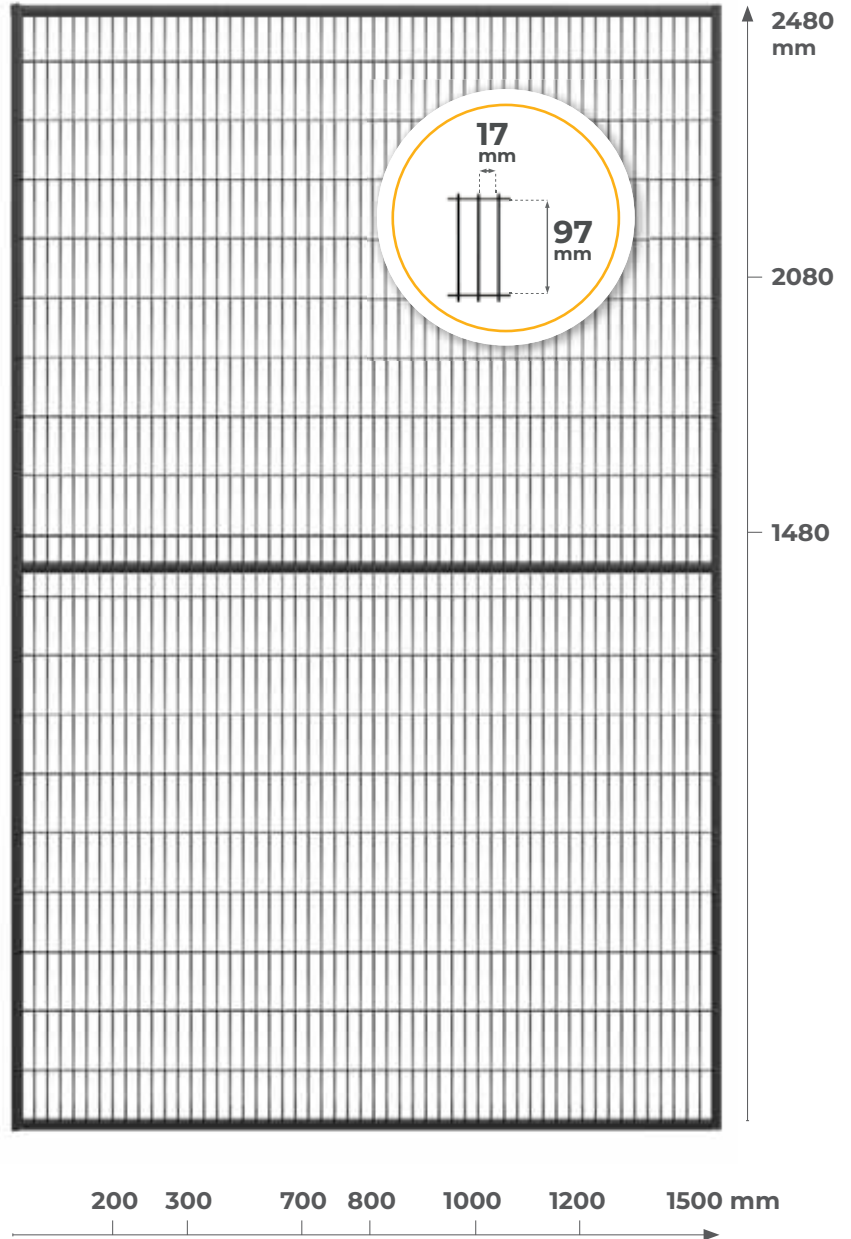
The horizontal wires welded on the inside prevent climbing

### Less distance, more space saved

The 17x97 mm mesh slot allows to install the Guard only 120 mm from hazard (EN ISO 13857), reducing the amount of space occupied by the safety perimeter.



120 mm



### Safe and resistant

20 or 30 mm frame?

The 20 or 30 mm square section tubes and 3 mm wire mesh make the Satech panel rigid and resistant, while welds at wires intersection prevent the risk of resonance.

FRAME mm  
**20**

FRAME mm  
**30**



# Panel options

Sheet metal, transparent sheet or mixed?

In addition to mesh panels, our framed Systems can be built with panels in different materials. All of them are robust, easy to assemble, fully compatible with traditional assembly systems and customizable according to your needs.

## FullSteel

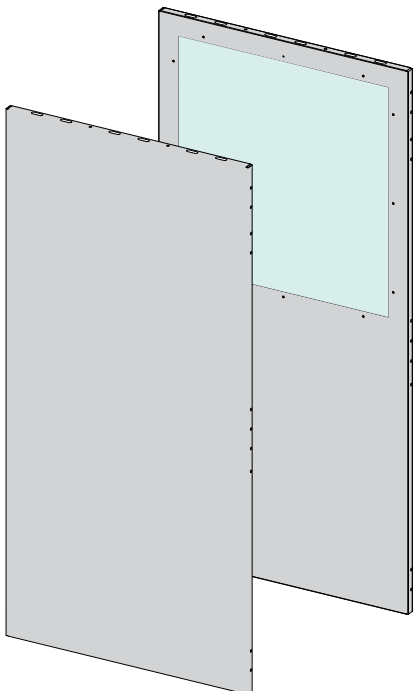
Maximum Robustness and Privacy



STANDARD  
NON-STOCK

MIN. ORDER PREPARATION TIME:  
**11 BUSINESS DAYS**

**FullSteel** is the new line of folded sheet metal panels. Suitable to protect from the ejection of scraps or for the partitioning of restricted areas, it is available with a polycarbonate viewing port as well as a dedicated viewing port for welding cells.



### ASSEMBLY OPTIONS

- ✓ "Impact" assembly - Captive Retained Screws

### MATERIALS

- Sheet metal**  
1,2 mm thickness
- Transparent sheet**  
4 mm thickness
- EN ISO 25980  
Transparent sheet**  
3 mm thickness



Tested for up to  
**2200 J**

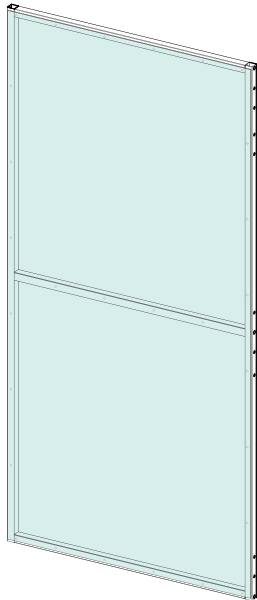


## Transparent sheet

Maximum Visibility

FRAME mm	FRAME mm
<b>20</b>	<b>30</b>

<b>12</b> 	STANDARD NON-STOCK	MIN. ORDER PREPARATION TIME: <b>12 BUSINESS DAYS</b>
---	-----------------------	---



Polycarbonate panels provide **maximum visibility of the protected areas**, thus allowing the inspection of processes.



### ASSEMBLY OPTIONS

- ✓ "Easy" assembly - Quick Clamp
- ✓ "Impact" assembly - Captive Nuts and Bolts

### MATERIALS

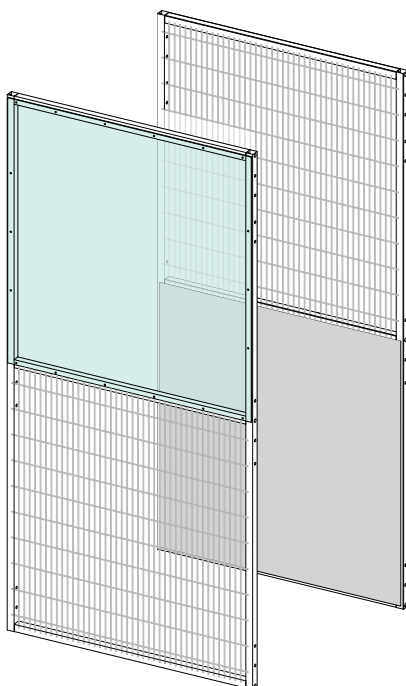
**Transparent sheet**  
4 mm thickness

## Mixed Panels

Maximum Versatility

FRAME mm	FRAME mm
<b>20</b>	<b>30</b>

<b>15</b> 	STANDARD NON-STOCK	MIN. ORDER PREPARATION TIME: <b>15 BUSINESS DAYS</b>
---	-----------------------	---



Mixed material panels **combine the advantages of both materials**. The sheet metal + mesh panel, for example, protects from the ejection of scraps in the lower part while ensuring full visibility of production processes at the top.



### ASSEMBLY OPTIONS

- ✓ "Easy" assembly - Quick Clamp
- ✓ "Impact" assembly - Captive Nuts and Bolts

### MATERIALS

**Steel wire mesh**  
3 mm thickness

**Sheet metal**  
1,2 mm thickness

**Transparent sheet**  
4 mm thickness



**NEW SYSTEM**

# EasyGuard Handiness

The functional and ergonomic Perimeter Guard

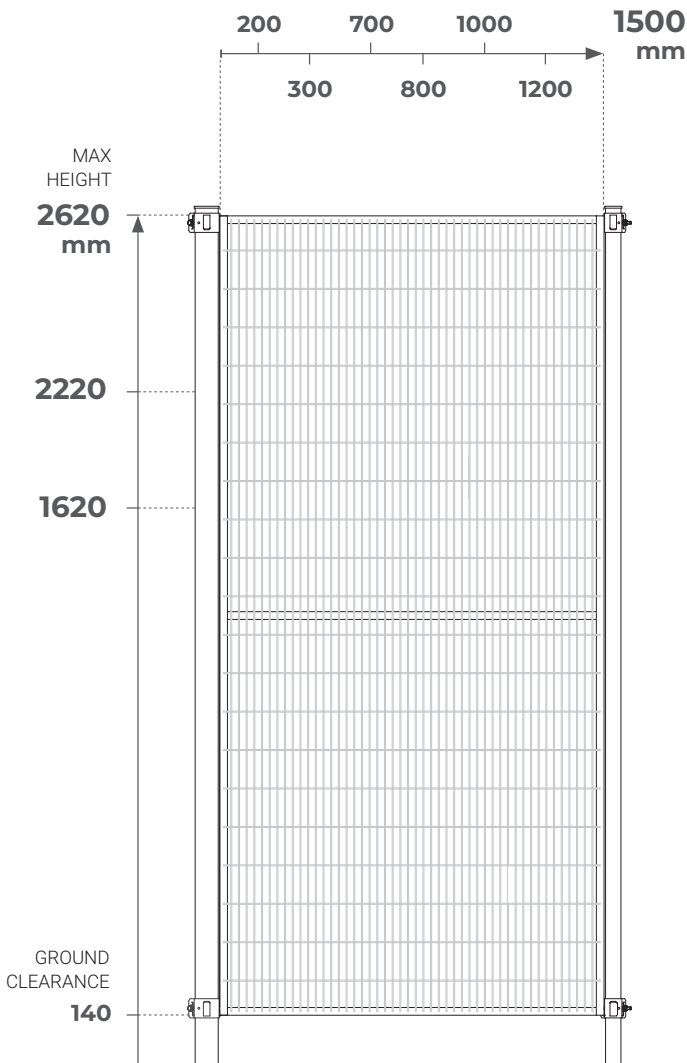
FRAME  
mm  
**20**

POST  
mm  
**40**

POST  
mm  
**60**

EasyGuard 40

EasyGuard 60



## Practical

EasyGuard is a Perimeter Guarding Solution that is **simple and effective**. The new welded baseplates with 3 anchoring points and the redesigned **Clamp** reduce installation time up to 25%.

## Versatile

EasyGuard can be completed with a wide range of accessories and doors. Available with **40- or 60 mm posts**, this System is a suitable choice for the protection of most industrial applications.

### Panels

MESH (mm)	20 x 100 x 3		
MESH SLOT (mm)	17 x 97		
HEIGHTS (mm)	1480	2080	2480

**20**  
mm

### Posts

BASEPLATES	140 x 140 x 5 welded, with 3 anchoring points		
HEIGHTS (mm)	1640	2240	2640

**40**  
mm

**60**  
mm

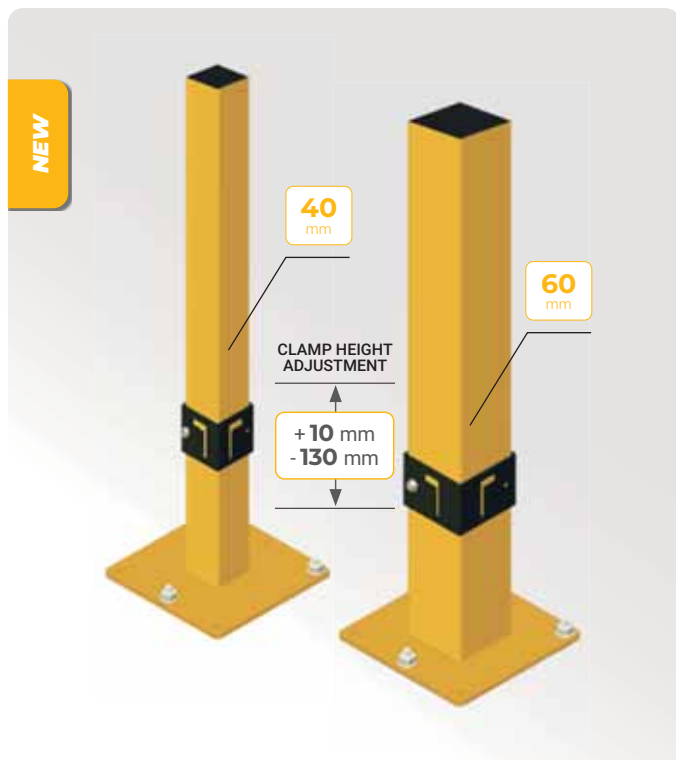
### Colors

RAL COLORS	RAL 9005          RAL 1021          RAL 7035          CustomGuard Colors
COATING	Powder (for indoor use only)



## A versatile System that is simple and practical.

Two smooth-surface post options, a new welded baseplate and the practical Clamp assembly make EasyGuard a **reliable** Perimeter Guard with **renewed versatility**.

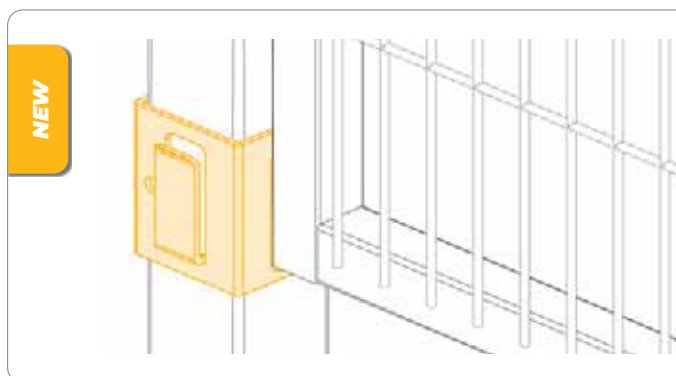
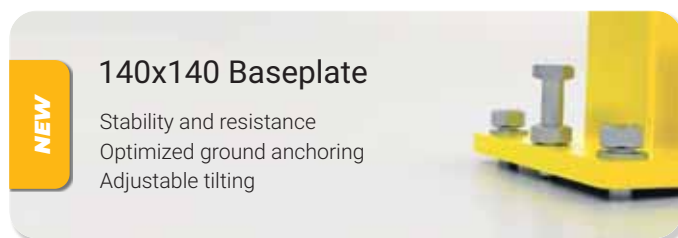


### New posts without holes

The new EasyGuard posts come **without holes on all 4 sides**, ensuring an aesthetic look and **perfect interchangeability** anywhere in the layout. They are available in **40 mm and 60 mm sections** to ensure greater resistance to possible accidental impacts from the outside.

### A new design for Satech baseplates

A new 3-anchoring points baseplate that ensures the best grip on the ground, reduces installation time and can be tilted to **compensate for floor inclination**. A Standard feature on all Satech systems in painted steel.



### Intuitive Assembly

EasyGuard's new **Clamp** with captive retained screws (2006/42/EC Machinery Directive) and the new posts with 3 anchoring points make assembly easy and reduce time spent installing the Perimeter Guard.



## Why choose the EasyGuard Perimeter Protection?

Price range	€€ / €€€€
Speed of assembly	🕒🕒
Min. Distance from Hazard (mm)	<b>120</b> (EN ISO 13857)
Non-mesh Panel options (Transparent sheet, mixed)	✓



The EasyGuard Perimeter Protection is designed and manufactured in compliance with **EN ISO 14120** and meets **Risk Assessment** safety requirements.

- ✓ **Modular and universal**
- ✓ **Easy and intuitive assembly**
- ✓ **Compatible with all accessories and doors**
- ✓ **Wide range of panel options**



**NEW SYSTEM**

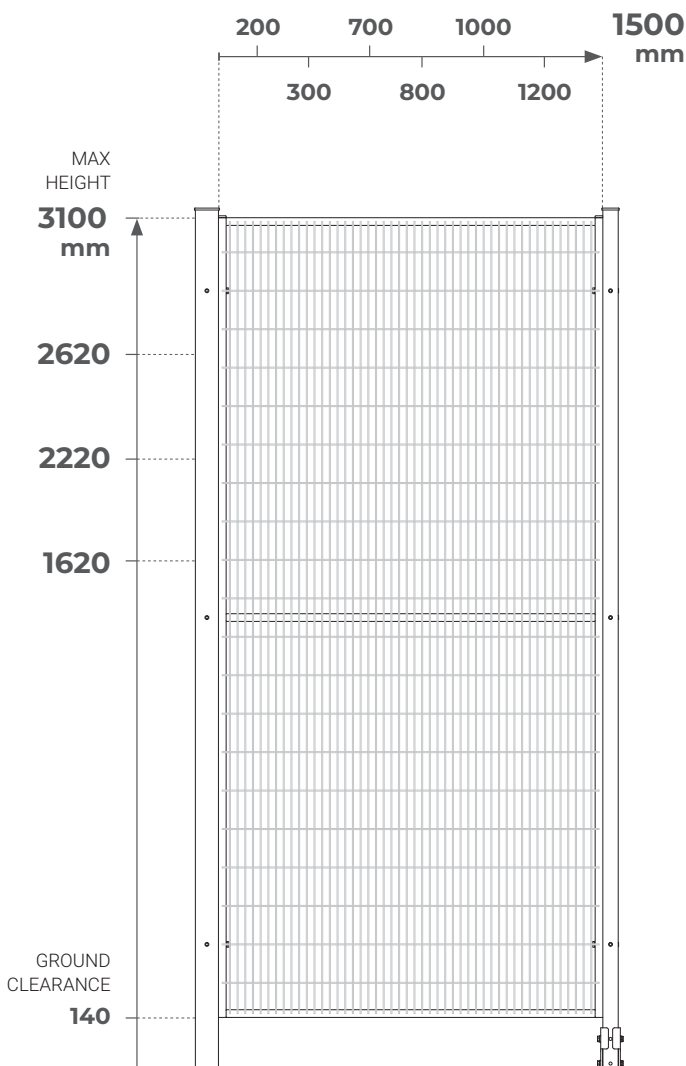
# ImpactGuard

## Robustness and Durability

The sturdiest and most durable Perimeter Guard

FRAME mm <b>20</b>	POST mm <b>40</b>	POST mm <b>60</b>
--------------------------	-------------------------	-------------------------

ImpactGuard 40 ImpactGuard 60



### Robust

ImpactGuard is the **solid and durable** Perimeter Guard Solution. The assembly with captive retained screws and the new baseplates make for a sturdy structure, able to absorb **impacts from the inside up to 2200 J** (2600 J with 30 mm frame).

### Versatile

Available with 40- or 60 mm "Mix & Match" posts, ImpactGuard is **compatible with all Satech panels, accessories and doors**. Designed to be long-lasting, this System is ideal for heavy-duty applications, e.g. in the steel industry.

<b>Panels</b>		<b>20</b> mm	<b>30</b> mm
MESH (mm)	<b>20 x 100 x 3</b>		
MESH SLOT (mm)	<b>17 x 97</b>		
HEIGHTS (mm)	<b>1480    2080    2480</b>		

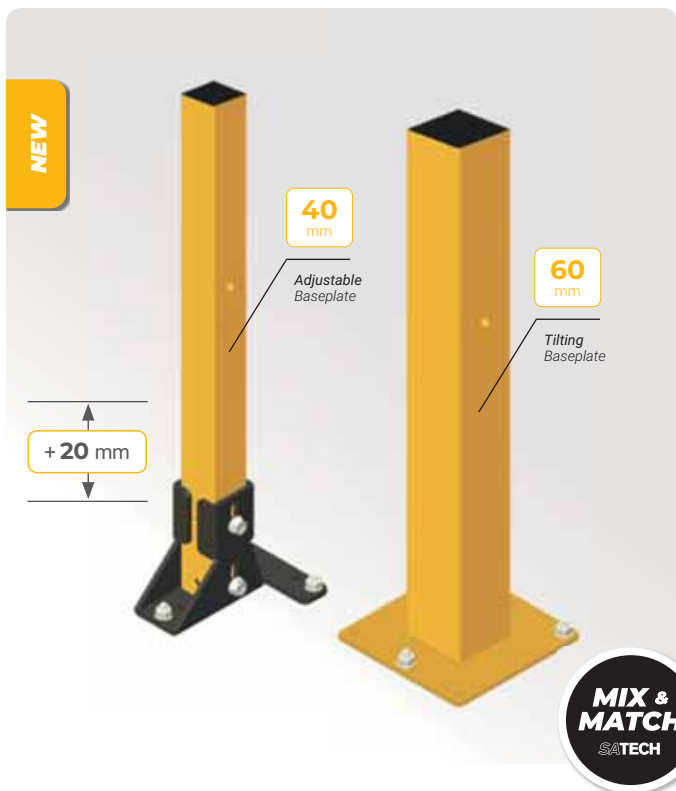
<b>Posts</b>		<b>40</b> mm	<b>60</b> mm
BASEPLATES (mm)	<b>60 mm post: 140 x 140 x 5, welded</b> <b>40 mm post: to be assembled (adjustable)</b>		
HEIGHTS (mm)	<b>1640    2240    2640    3120</b>		

<b>Colors</b>				
RAL COLORS	RAL 9005	RAL 1021	RAL 7035	CustomGuard Colors
COATING	<b>Powder (for indoor use only)</b>			



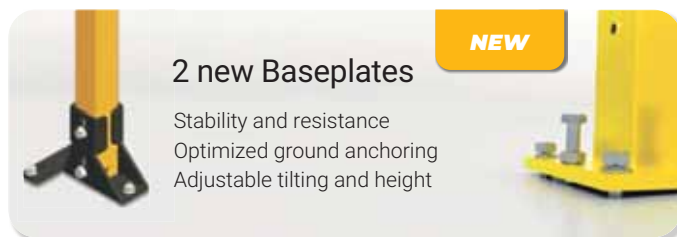
## Simple, universal, durable in all conditions.

Two options for posts and for the frame, full compatibility with all Satech products and maximum personalization: ImpactGuard ensures **unmatched solidity, whichever its configuration might be.**



### New “Mix & Match” posts

The new **Universal “Mix & Match” posts** are compatible with all Satech panels, both framed and frameless. Available with 40- or 60 mm sections, they feature **new adjustable 3-anchoring points Baseplates** designed to provide stability and resistance to accidental impacts.



#### 2 new Baseplates

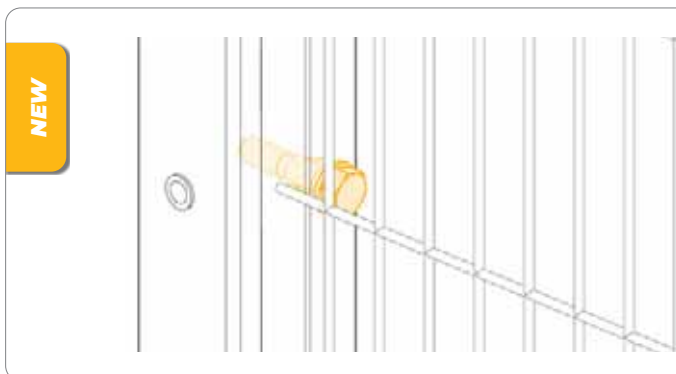
Stability and resistance  
Optimized ground anchoring  
Adjustable tilting and height

ALSO AVAILABLE IN A 30 mm FRAME VERSION (60 mm POSTS ONLY)

30 mm

60 mm

Tested for up to **2600 J**



### Impact-proof Assembly

The new ImpactGuard captive fastening (2006/42/EC Machinery Directive) features a reduced number of components that optimizes assembly time while ensuring **excellent impact resistance** (Impact Test, EN ISO 14120).

Tested for up to **2200 J**

## Why choose the ImpactGuard Perimeter Protection?

Price range	€€ / €€€€
Speed of assembly	⌚⌚⌚
Min. Distance from Hazard (mm)	<b>120</b> (EN ISO 13857)
Non-mesh Panel options (FullSteel, transparent sheet, mixed)	✓



The ImpactGuard Perimeter Protection is designed and manufactured in compliance with **EN ISO 14120** and meets **Risk Assessment** safety requirements.

- ✓ **Modular and robust, even for heavy-duty applications**
- ✓ **2 “Mix & Match” post options**
- ✓ **Compatible with all accessories and doors**
- ✓ **Wide range of panel options**

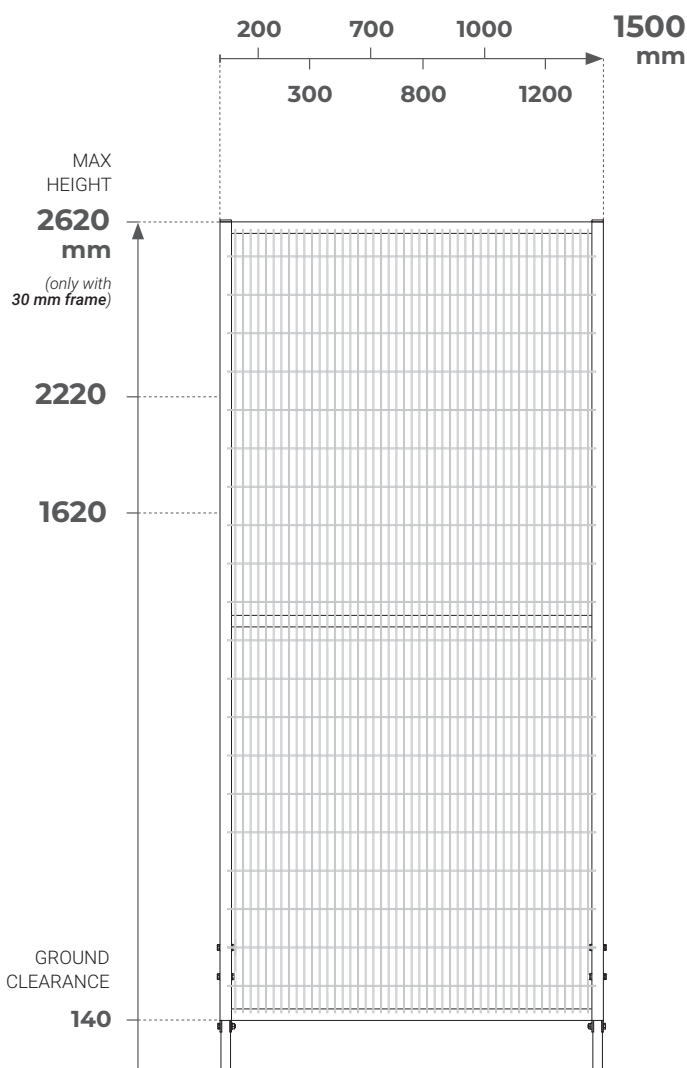


# FastGuard

## 1,2,3 Done!

The Safety Fence with the quickest assembly

FRAME mm	FRAME mm
<b>30</b>	<b>20</b>
FastGuard 30	FastGuard 20



## Fast

The FastGuard Safety Fences allow a much faster installation than traditional systems. FastGuard is ideal for the **partitioning of areas** as well as for protection alongside **conveyor belts** of automatic lines.

## Simple

FastGuard is the System without posts combining simplicity, convenience and versatility. Like all Satech Solutions, it can be **complemented** by our range of doors and accessories.

### Panels

MESH (mm)	20 x 100 x 3		
MESH SLOT (mm)	17 x 97		
HEIGHTS (mm)	1480	2080	2480

30 mm	20 mm
----------	----------

### Baseplates

TYPES	Linear and terminal
SIZE (mm)	140 x 140 x 5 welded, with 3 anchoring points

### Colors

RAL COLORS	RAL 9005          RAL 1021          RAL 7035          CustomGuard Colors
COATING	Powder (for indoor use only)



## Great time saving, maximum effectiveness

FastGuard saves up to **70% assembly time** while ensuring a minimum resistance to impacts of **390 J** (even for the FastGuard 20 version).



FastGuard 30  
tested for up to  
**500 J**



## Simplicity and stability

The new **tiltable baseplates** with **3-anchoring point locking forks** connect modular panels in the lower part. For additional stability, the upper part is connected either by **captive retained Nuts and Bolts** or by an **elastic shaped joint**.

**NEW** **140x140 Baseplate**  
Stability and resistance  
Optimized ground anchoring  
Adjustable tilting

**FRAME**  
mm  
**20**  
FastGuard 20

ALSO AVAILABLE  
IN A 20 mm  
FRAME VERSION

- 1** Place the multi-function baseplates on the ground
- 2** Insert the panel from above
- 3** Tighten the captive built-in fastenings

### Assembly in 3 easy steps

Panels are supported and kept in place by baseplates, while an upper connection keeps them aligned. Assembling FastGuard is incredibly easy and can be carried out effortlessly by a **single operator**.

**-70%**  
Assembly Time

## Why choose the FastGuard Safety Fence?

Price range	€ / €€
Speed of assembly	
Min. Distance from Hazard (mm)	<b>120</b> (EN ISO 13857)
Non-mesh Panel options (FullSteel, transparent sheet, mixed)	



The FastGuard Safety Fence is designed and manufactured in compliance with **EN ISO 14120** and meets **Risk Assessment** safety requirements.

- Modular, Extra-rapid and convenient**
- Self-supporting, without posts**
- Compatible with all accessories and doors**
- Wide range of panel options**

# Frameless panels

## Versatile, resistant, adaptable

Satech frameless modular mesh panels are designed according to **EN ISO 14120** and meet Risk Assessment safety requirements. They can be **adapted directly on-site**. Made of 4 mm wire and strengthened by reinforcing ribs, they provide excellent dynamic resistance to impacts.



### Adaptable

Ready for all eventualities

The frameless mesh allows to **quickly fit the panel on-site** to any need - all by using basic tools and without the need for repainting.

### Easy to handle

Light and robust

**Lightweight** yet robust, the Satech frameless panel can be easily handled by just one person.

### Eight widths, ideal for your layout

**8 standard modular widths** designed to fit any kind of layout. The absence of a frame makes it easy to cut the panel and to create all intermediate widths in **32 mm** increments.

**8 standard widths:**

196

292

676

772

996

1188

1476

1988





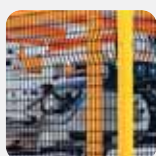
NEW

## The Satech Modular Frameless Panel

8 standard widths and 3 standard heights



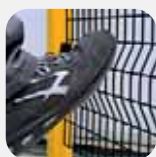
DECLARATION OF CONFORMITY  
EN ISO 14120



### Visibility

EN ISO 14120-5.9

The vertical mesh shape ensures excellent machinery visibility.



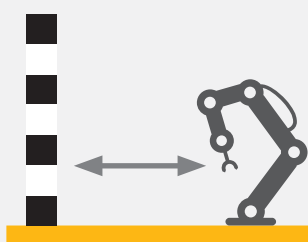
### Anti-climbing

EN ISO 14120-5.18

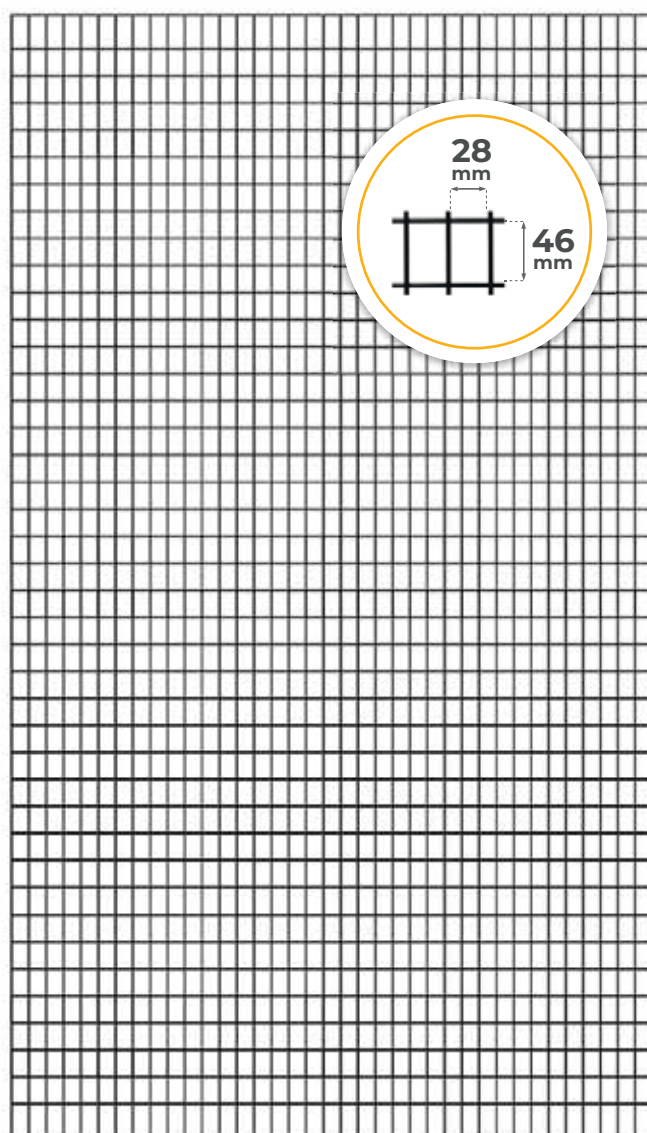
The horizontal wires welded on the inside prevent climbing.

### Less distance, more space saved

The **28x46 mm** mesh slot allows to install the Guard only **200 mm** from hazard (EN ISO 13857), reducing the **space** occupied by the safety perimeter.



200mm



### Safe and resistant

4 mm wire and reinforcing ribs

The **new electro-welded mesh** made of **4 mm high-strength steel wire** and its **reinforcing ribs** make the panel even sturdier and able to dynamically absorb potential impacts.





# AdaptaGuard

## Ready for all eventualities

WIRE Ø  
mm  
**4**

POST  
mm  
**50**

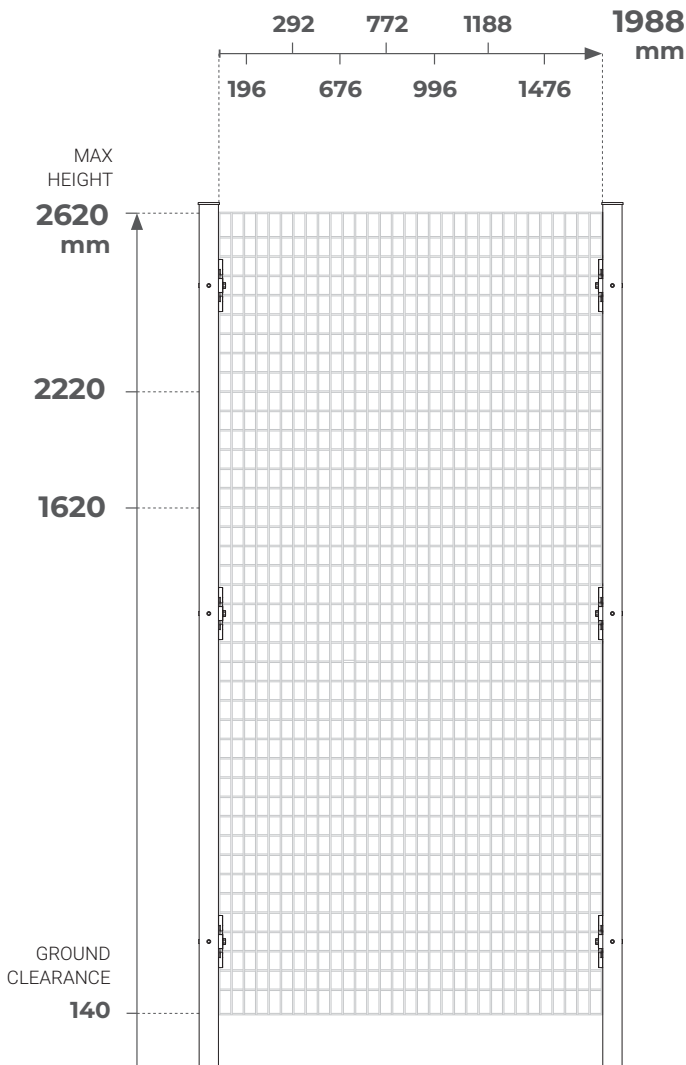
The resistant and adaptable frameless Perimeter Guard

### Practical

AdaptaGuard Perimeter Guards are safe, durable and easy to install. This **frameless Solution** is designed to be easily adaptable on-site to fit any machinery need.

### Resistant

The **4 mm wire** mesh, reinforcing ribs and **50 mm square baseplate posts** make AdaptaGuard **lightweight yet strong**. This Solution is ideal in those situations where the risk of **impact with mechanical equipment** is high.



#### Panels

MESH (mm)	32 x 50 x 4		
MESH SLOT (mm)	28 x 46		
HEIGHTS (mm)	1480	2080	2480

#### Posts

BASEPLATES	140 x 140 x 5 welded, with 3 anchoring points		
HEIGHTS (mm)	1640	2240	2640

**50**  
mm

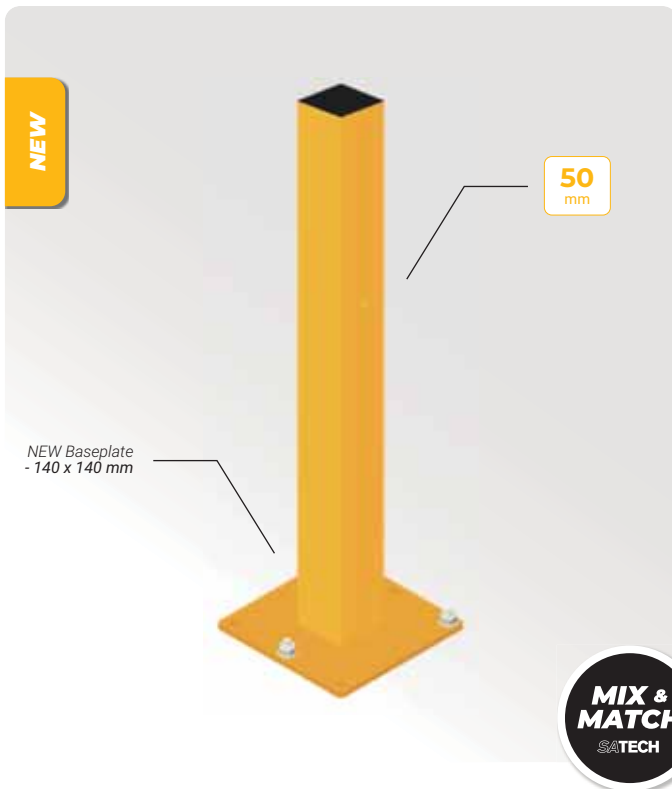
#### Colors

RAL COLORS	RAL 9005	RAL 1021	RAL 7035	CustomGuard Colors
COATING	Powder (for indoor use only)			



## Adaptable directly on-site

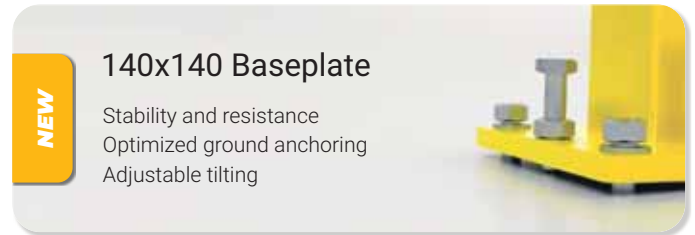
AdaptaGuard is a robust, easy-to-assemble Perimeter Guard that allows to adapt panel shapes and size directly on-site, thus saving **plenty of time** in the event of unforeseen circumstances.



## Unmatched versatility

### New "Mix & Match" Posts

With its new **"Mix & Match" Posts**, AdaptaGuard is now compatible with FullSteel sheet metal panels and with transparent sheet ones for full personalization. The new tiltable baseplates with **3 anchoring points** reduce installation time.



## Ready for any application

AdaptaGuard's applications are unparalleled. Whether it's about making a cutout shape in the panel or a last-minute adjustment to its size, all you'll have to do is cut the mesh and the Guard will be ready for use, with **no additional work required**.



## Ease of Assembly

Assembling AdaptaGuard is easy and intuitive. The new **high-strength nylon-fibreglass fastenings** allow to quickly position the mesh and to connect it to the post via **captive retained Nuts and Bolts**.



## Why choose the AdaptaGuard Perimeter Protection?

Price range	€€€€
Speed of assembly	⌚⌚⌚
Min. Distance from Hazard (mm)	<b>200</b> (EN ISO 13857)
Non-mesh Panel options (FullSteel, transparent sheet, mixed)	✓



The AdaptaGuard Perimeter Guard is designed and manufactured in compliance with **EN ISO 14120** and meets **Risk Assessment** safety requirements.

- ✓ **Modular and adaptable on-site**
- ✓ **Resistant to up to 1600 J Impacts**
- ✓ **Easy assembly Quick mesh installation**
- ✓ **Compatible with all accessories and doors**



**Door** in a box  
everything you need in a box

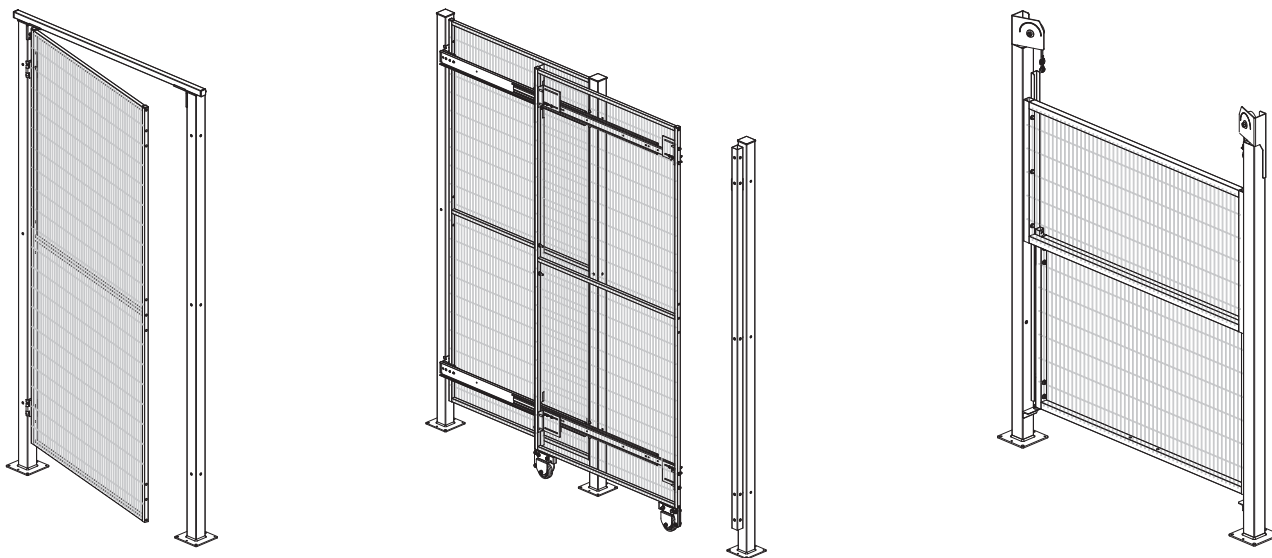
To reduce your efforts and **save you valuable time** we have packaged all the components needed to assemble our doors in "Door-in-a-box" kits, prepared by our Kit Department and carefully checked by the Satech Quality System.



# Standard Doors

## A complete and versatile range of openings

We provide a wide range of Standard Doors Solutions for your Safety Perimeter. 5 types of movement, openings from 700 to 12000 mm, 3 different posts sections and a variety of panel options. **Upon request, Satech doors can be supplied pre-assembled, ready for installation.**



### Simple and functional

Customizable with several panel options

Simple, solid and durable, Satech doors are built with our modular components and are easy to assemble. They can be made with **any type of framed panel option** (full mesh, transparent sheet, mixed) or with FullSteel sheet metal panels.

**16+** Standard Doors  
Available in stock

*More than 150 Locking Solutions*



### Hinged, linear, vertical or hybrid?

The right door for your need

Our Standard doors - hinged, folding, with guides, linear, vertical or hybrid to optimize the opening width - are designed to enable machinery access to **people, goods, pallet trucks and various types of heavy loads.**



PEOPLE



PEOPLE  
AND GOODS



HEAVY  
LOADS

### Locking systems suitable for any Performance Level (PLr)

Each Satech door can be completed with a wide range of **locks**, from simple magnet locks to mechanical ones and interlocks, according to the **Required Performance Level (PLr)**. We also design and manufacture brackets for your own locks.

NEW

## Hinged Door

For man passage

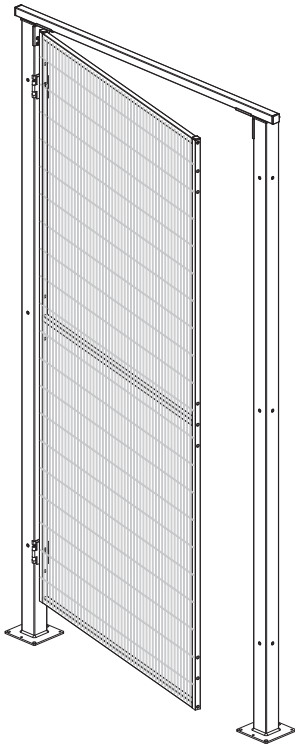
POST  
mm  
**40**

POST  
mm  
**50**

POST  
mm  
**60**



MIN. ORDER PREPARATION TIME:  
**6 BUSINESS DAYS**



Simple door for man passage equipped with hinges that guide the movement of the panel. It can be ordered pre-assembled with an interlock.



### VERSIONS AVAILABLE

- ✓ Single leaf
- ✓ \*Double leaf

### OPENINGS

700 to 3000\* mm

### IDEAL FOR



NEW

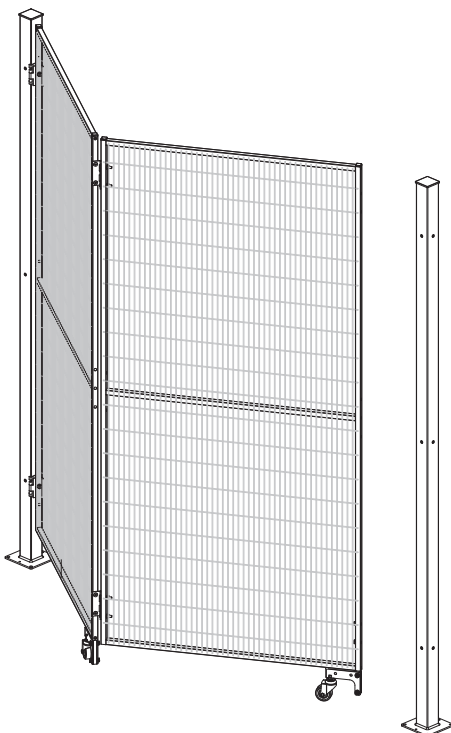
## Folding Door

Space saving

POST  
mm  
**60**



MIN. ORDER PREPARATION TIME:  
**6 BUSINESS DAYS**



Door designed to save space when opened. The two panels fold over each other to reduce the space occupied, while a swivel wheel provides stability throughout the movement.



### VERSIONS AVAILABLE

- ✓ Single
- ✓ \*Opposed

### OPENINGS

1400 to 6000\* mm

### IDEAL FOR

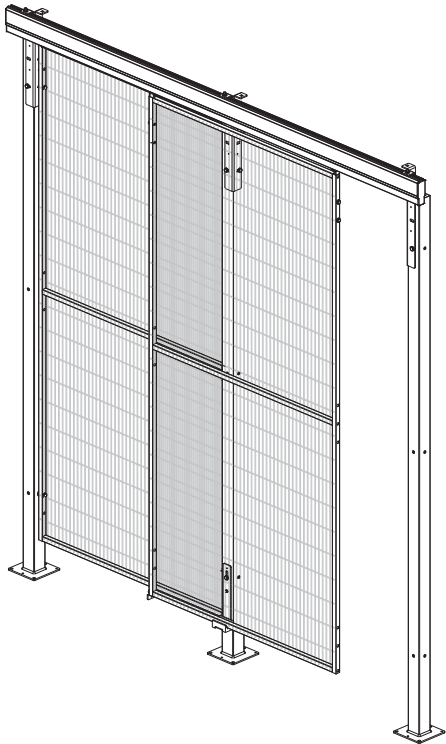


**NEW**

# Sliding Door Upper Guide

- POST mm **40**
- POST mm **50**
- POST mm **60**

 MIN. ORDER PREPARATION TIME:  
**6 BUSINESS DAYS**



Sliding door suspended by means of a new generation upper guide. Ergonomic and functional, it is simple to assemble and ensures a smooth opening movement.



### VERSIONS AVAILABLE

- ✓ Single
- ✓ Alternate
- ✓ \*Opposed

### OPENINGS

700 to 3000\* mm

### IDEAL FOR

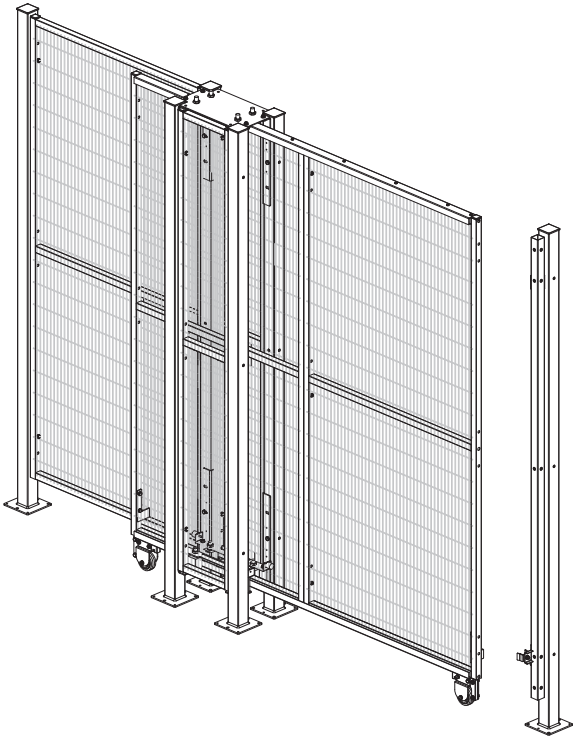


**NEW**

# Sliding Door Open Passage

- POST mm **60**

 MIN. ORDER PREPARATION TIME:  
**6 BUSINESS DAYS**



Solid and durable 4-post sliding door. A smooth opening movement even on large widths, it comes with a new centering system to ensure proper functioning of Safety Switches.



### VERSIONS AVAILABLE

- ✓ Single
- ✓ \*Opposed

### OPENINGS

1500 to 12000\* mm

### IDEAL FOR



**NEW**

## Sliding Door

Open passage TX

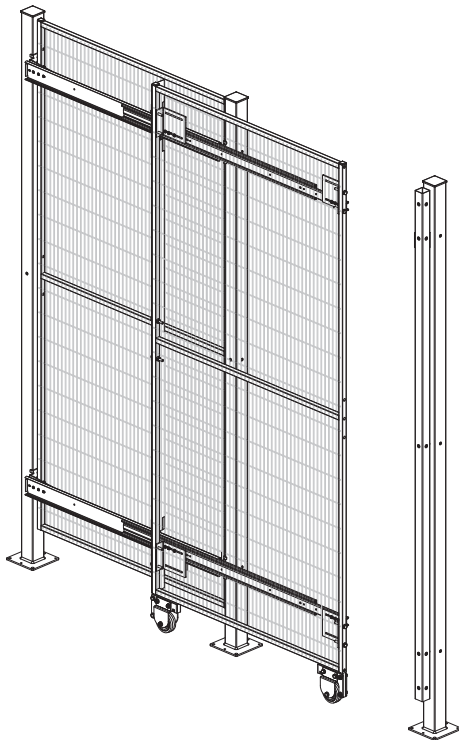
POST  
mm  
**40**

POST  
mm  
**50**

POST  
mm  
**60**



MIN. ORDER PREPARATION TIME:  
**6 BUSINESS DAYS**



Sliding doors with a low-friction telescopic guide for panel stability and smooth sliding. Also available in the multistage version, designed for large openings.



### VERSIONS AVAILABLE

- ✓ Single
- ✓ Opposed
- ✓ \*Multistage

### OPENINGS

700 to 8700\* mm

### IDEAL FOR



## Vertical Door

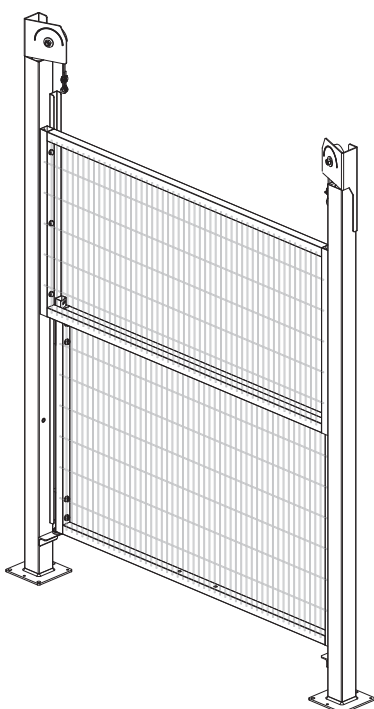
Manually operated

POST  
mm  
**60**



STANDARD  
NON-STOCK

MIN. ORDER PREPARATION TIME:  
**18 BUSINESS DAYS**



Door equipped with a counterweight that allows the control of the opening and closing movement. The reduced number of components makes for an easy and quick assembly.



### VERSIONS AVAILABLE

- ✓ Manual

### OPENINGS

up to 1500 mm

### IDEAL FOR





# Hybrid Door

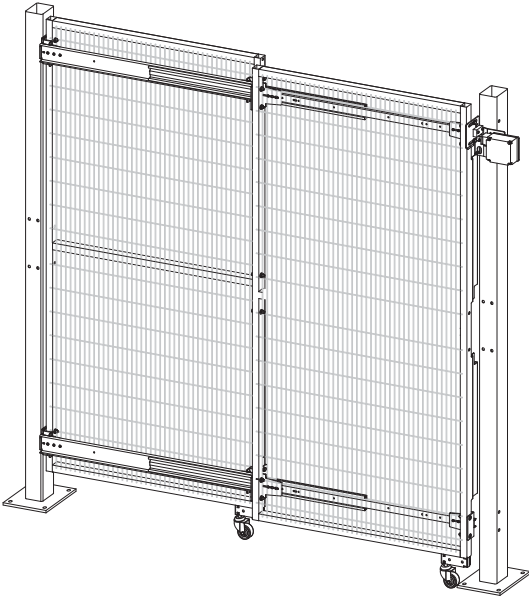
Sliding + Hinged

POST  
mm  
**60**

POST  
mm  
**80**

**18** STANDARD NON-STOCK MIN. ORDER PREPARATION TIME: **18 BUSINESS DAYS**

Door that combines the rotation and sliding of door leaves in a single movement. Ideal for layouts where the space to perform these movements is limited.



### VERSIONS AVAILABLE

- ✓ Single
- ✓ \*Opposed

### OPENINGS

up to 12000\* mm

### IDEAL FOR



**NEW**

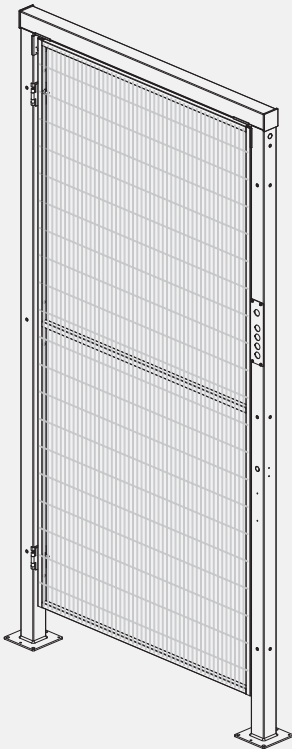
# Hinged Door

Plug+Play

POST  
mm  
**60**

**15** STANDARD NON-STOCK MIN. ORDER PREPARATION TIME: **15 BUSINESS DAYS**

Hinged door for man passage, it comes already assembled and ready to be integrated into your layout. Available in 3 different layout versions.



### VERSIONS AVAILABLE

- ✓ **Pre-wired Plug+Play** with Satech wiring
- ✓ **Custom Plug+Play** wiring as requested
- ✓ **Ready2Go** ready for wiring

### OPENINGS

700 to 1500 mm

### IDEAL FOR





# BodyGuard

## Fall prevention guardrail

TUBES  
mm  
**40**

The Protection for walkways and elevated areas

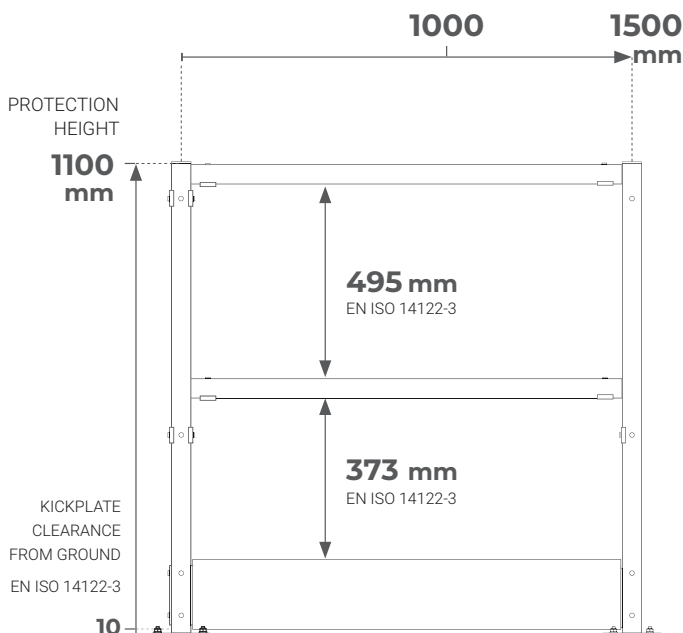


### Practical

BodyGuard is the fall prevention system for **elevated areas** or for delimiting ground walkways. It can be anchored to the **floor** with a baseplate or to the **walkway** with bolts.

### Resistant

Its lightweight structure (horizontal beams plus a kick plate) makes BodyGuard a compact and durable solution for the safety of workplace operators.



### Tubes

**40**  
mm

TYPES	Uprights and horizontal beams	
ASSEMBLY	Linear or angular via self-centering brackets	
HEIGHTS (mm)	1100	
WIDTHS (mm)	1000	1500

### Colors

RAL COLORS	 RAL 1021	 CustomGuard Colors
COATING	Powder (for indoor use only)	



## Great time saving

The reduced number of components and the self-centering brackets ensure quick assembly, **saving you valuable time.**

## Safe and stable

### Two anchoring options

Depending on the area that needs to be protected, BodyGuard can be anchored to the floor with **front bolts** or with **baseplates** bolted to the ground.



## Ease of assembly

BodyGuard allows both **linear** and **angular** assembly with the same components. The self-centering brackets guide the horizontal beams in place, while Nuts and Bolts lock them to the uprights.



## Versatile

In conjunction with the two assembly options, the modular beams-and-brackets design makes BodyGuard suitable to **delimit all types of walkways and elevated areas** - even when it comes to large surfaces.

## Why choose BodyGuard?

Price range	€€
Speed of assembly	⌚⌚
Assembly	<b>Nuts and Bolts</b>



BodyGuard is designed and manufactured in compliance with **EN ISO 14122-3** and meets **Risk Assessment** safety requirements.



**Modular and solid**



**Simplified components**



**2 anchoring options**



**Available with hinged door (upon request)**

# AISI 304L Stainless Steel Solutions

## BlueGuard Perimeter Protection

BlueGuard is the frameless Satech Solution for the Agro-food, Chemical and Pharmaceutical industries. Made of passivated **AISI 304L** Stainless Steel and food technopolymer, its open design allows for a high degree of sanitization.



### Maximum Safety

Food material

To avoid any potential contamination, BlueGuard components are all made of high-quality, passivated **AISI 304L Stainless Steel** to prevent oxidation. Fastenings come with food contact approved **DOMAMID® 6G30FC** inserts.

### Maximum Hygiene

Resistant to frequent washing

BlueGuard's open structure allows it to be fully washed. Each component is designed to withstand aggressive agents, ensuring long-term durability of this Guard.

#### Four widths, ideal for your layout

The **4 standard modular widths** of the BlueGuard panel are designed to fit any kind of layout. The frameless panel can be easily cut on-site to create all intermediate widths in **32 mm** increments.

4 standard widths:

484

996

1476

1988



#### Tested on 2000+ wash cycles

BlueGuard has been subjected to strict endurance tests for more than **2000 wash cycles** (6 years of use) with the following ECOLAB® detergents:

TOPAZ AC5

P3-TOPAZ 990

TOPACTIVE DES

P3-TOPAX 66

TOPAZ HD3

TOPAZ MD3

## Hygienic Design in 4 steps



### REDUCED CONTACT SURFACES

minimized metal-to-metal contact



### OPEN DESIGN AND INCLINED SURFACES

allows for full cleaning inspection and prevents the accumulation of dust and residue



### FLOOR SPACERS

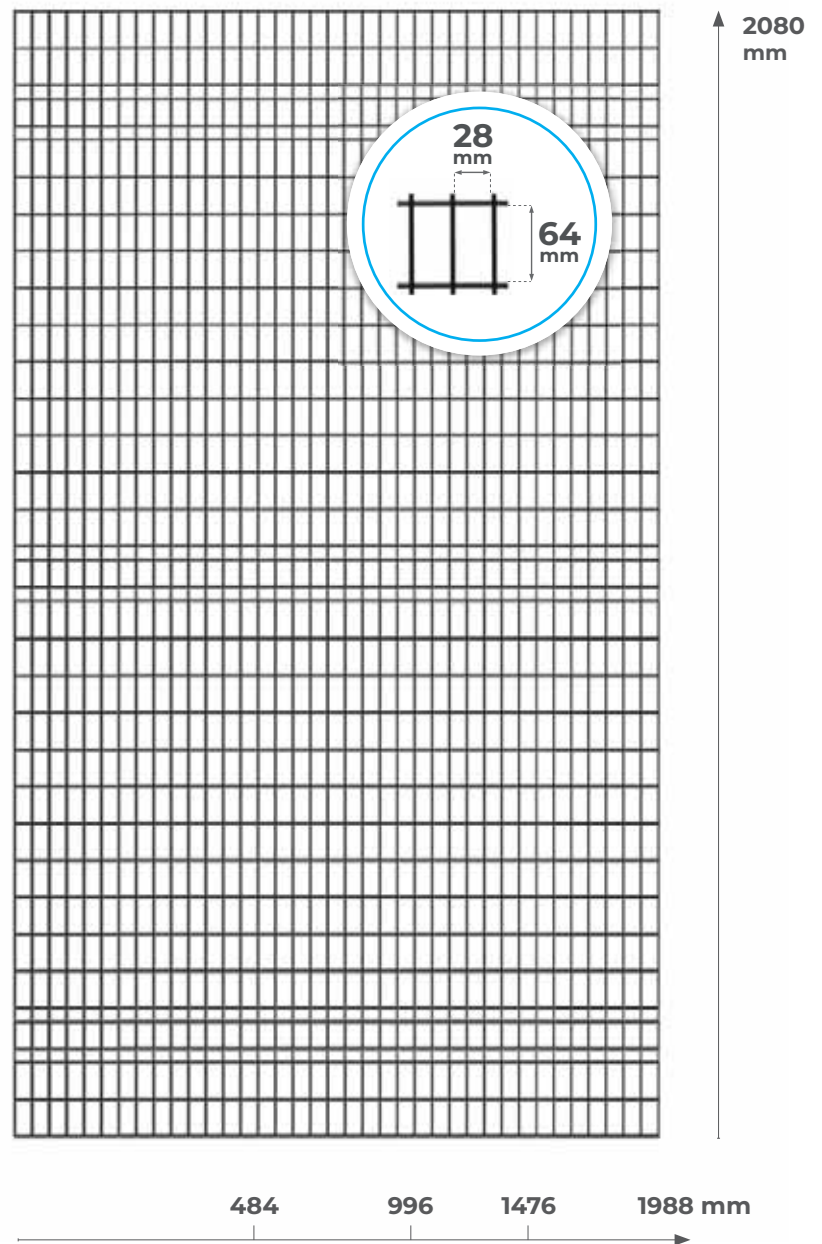
to avoid liquids pooling and ease cleaning of surrounding areas



### TIG WELDING

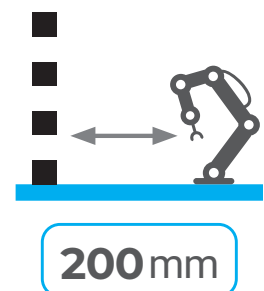
maximum cavity reduction to ensure complete sealing of each joint

## Stainless Steel Modular Frameless Panel 4 standard widths and 1 standard height



## Less distance, more space saved

The **28x64 mm** mesh slot allows to install the Guard only **200 mm** from hazard (EN ISO 13857), reducing the **space** occupied by the safety perimeter.





# BlueGuard hygienic fencing

## Safety and Hygiene

The Stainless Steel Perimeter Guard

WIRE Ø  
mm  
**4**

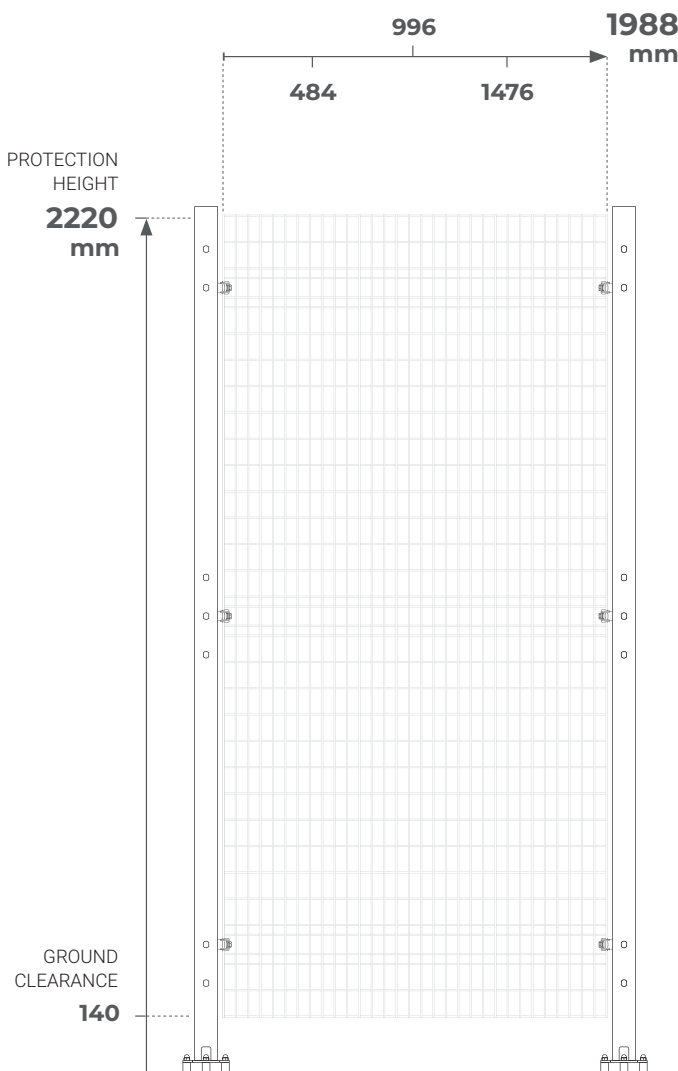
POST  
mm  
**60**

### Hygienic and Safe

BlueGuard combines the **safety** and **versatility** of Satech Perimeter Guards with the **high hygienic standards** required in the **Agro-food, Chemical and Pharmaceutical** industries.

### Adaptable and Inspectable

BlueGuard is a frameless Perimeter Guard that can be **adapted directly on-site** to **save valuable time**. The open, U-shaped posts and the floor spacers make **washing** and **inspections very easy to perform**.



#### Panels

MESH (mm)	<b>32 x 68 x 4</b>
MESH SLOT (mm)	<b>28 x 64</b>
HEIGHTS (mm)	<b>2080</b>

#### Posts

BASEPLATES	<b>with 3 anchoring points and floor spacers</b>
HEIGHTS (mm)	<b>2240</b>

**60**  
mm

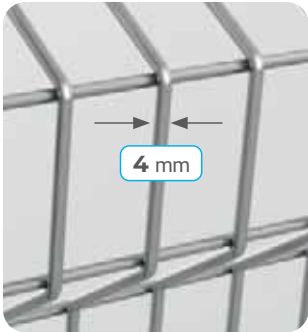
#### Materials

POSTS AND PANELS	<b>High quality passivated AISI 304L Stainless Steel</b>
TECHNOPOLYMER	<b>DOMAMID® 6G30FC for food</b>



## Durable and tested for high-pressure washing

BlueGuard is the Stainless Steel Perimeter Guard designed to **last long** and to withstand accidental impacts, aggressive environments and frequent high-pressure washing.



## Safe, resistant and ergonomic 4 mm wire and reinforcement ribs

The frameless, **AISI 304L Stainless Steel** panel in **4 mm wire** is strengthened by **reinforcing ribs** to absorb any impact dynamically and make assembly easier to carry out.

A **single type of post** for linear and angular assembly - as well as for doors - **reduces preparation time**. The **lack of a frame** allows to **easily fit this Guard on-site** to layout needs.



DEVELOPED IN  
COLLABORATION  
WITH EHEDG

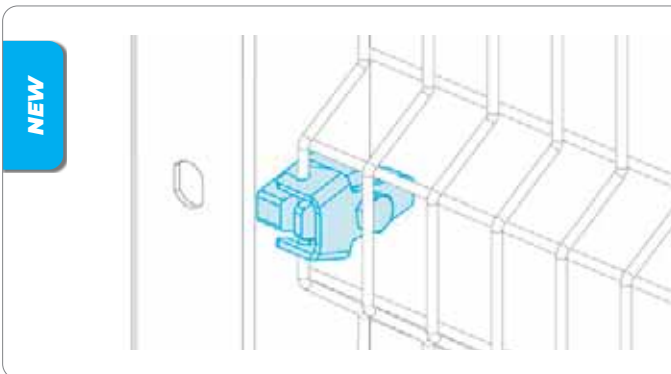
BlueGuard was born from the collaboration with **EHEDG** (the European Hygienic Engineering and Design Group) and complies with the high hygienic standards required in the Agro-food, Chemical and Pharmaceutical industries (**EN 1672-2** and **EN ISO 14159**).

NEW

### New 3-anchoring points Baseplate

- Stability and resistance
- Optimized ground anchoring
- Tilting up to 10° (with dedicated baseplate)





## Easy Assembly

BlueGuard is easy to assemble: the panel is connected to the U-shaped posts by sturdy **captive fastenings** in accordance with the **2006/42/EC Machinery Directive**.



## Why choose BlueGuard Perimeter Guard?

Price range	€€€€€
Speed of assembly	⌚⌚⌚
Min. Distance from Hazard (mm)	<b>200</b> <small>(EN ISO 13857)</small>
Non-mesh Panel options (FullSteel, transparent sheet, mixed)	-



The BlueGuard Perimeter Guard is designed and manufactured in compliance with **EN ISO 14120** and meets **Risk Assessment** safety requirements.

- ✓ **Modular and sanitizable**
- ✓ **Suitable for aggressive environments**
- ✓ **Frameless Adaptable on-site**
- ✓ **Tested for accidental impacts up to 600 J**



# Doors and Accessories

## BlueGuard hygienic fencing

Access to Stainless Steel perimeters is provided by hinged and sliding doors, with single or double opening. Doors and accessories of BlueGuard Perimeter Guards are designed and manufactured in strict accordance with Hygienic Design guidelines.

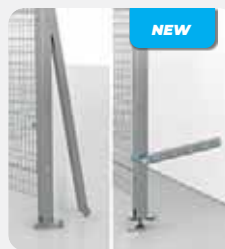
### Accessories

#### 1 Variable angle



BlueGuard's universal post allows linear (180°) and angular (90°) panel assembly. The variable angle kit is an easy-to-use accessory that allows to join panels at an angle between 20° and 70°.

#### 2 Post support struts



The post support strut helps reinforcing posts subjected to significant horizontal dynamic loads as well as those placed in critical layout positions. Available for ground fixing as well as for anchoring to machinery with telescopic distance adjustment.

#### 3 Safety Switch Brackets



Stainless Steel brackets to support Safety Switches. Models compatible with products from leading manufacturers as well as designed upon request.

#### 4 Tilting baseplate



The new single-anchor point tilting baseplate compensates for any floor slope and allows a tilting of the post up to 10°.

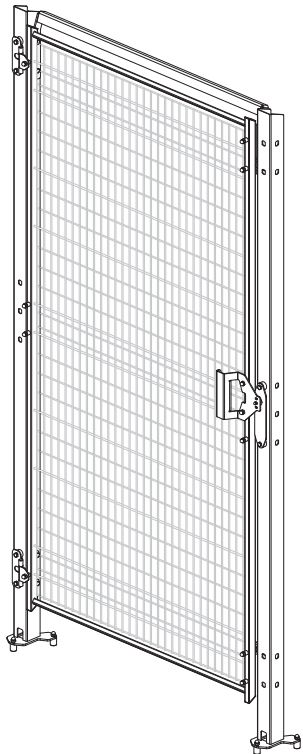


## Hinged Door

For man passage

POST  
mm  
**60**

**6** MIN. ORDER PREPARATION TIME:  
**6 BUSINESS DAYS**



Simple door for man passage featuring hinges, framed panel with flat welded mesh (4 and 6 mm wire), 20x30 mm upper crossbar and magnet lock.



**VERSIONS AVAILABLE**

- ✓ Single leaf
- ✓ \*Double leaf

**OPENINGS**

800 and 1000 mm  
1600\* and 2000\* mm

**IDEAL FOR**

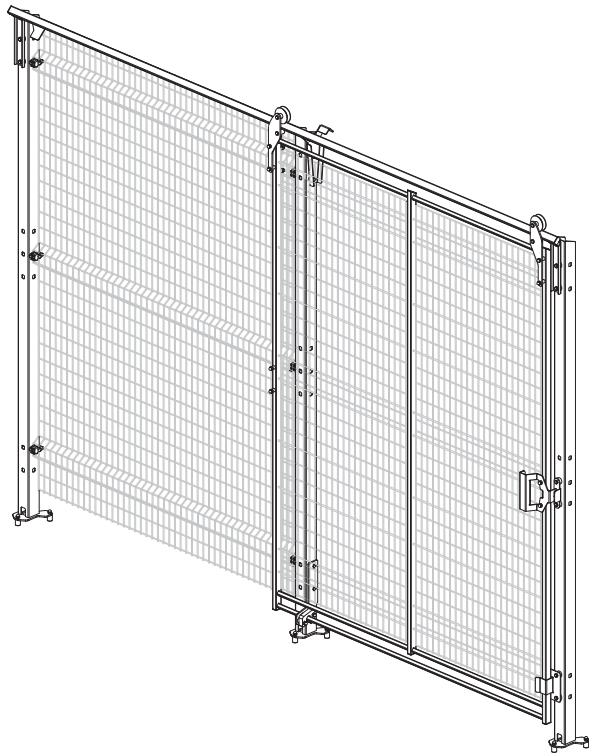


## Sliding Door

Upper Guide

POST  
mm  
**60**

**6** MIN. ORDER PREPARATION TIME:  
**6 BUSINESS DAYS**



Sliding door with an open upper guide. Features framed panel door leaves with flat welded mesh (4 and 6 mm wire), 20x30 mm upper guide and magnet lock.



**VERSIONS AVAILABLE**

- ✓ Single

**OPENINGS**

1300 and 2000 mm

**IDEAL FOR**





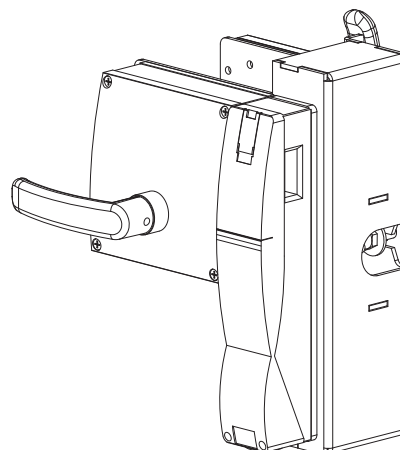
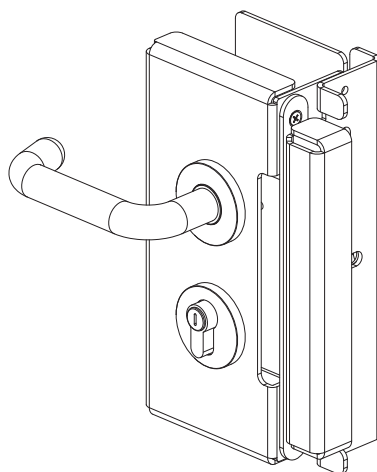
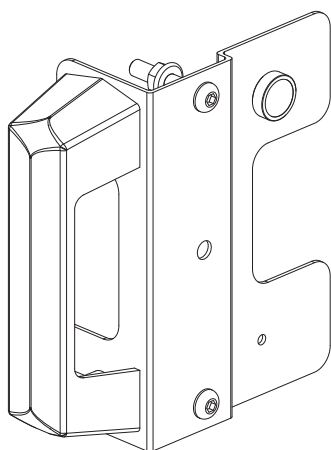
SATECH

143

# Locking Systems

## Safe Access at any Level

Satech doors can be completed by over **150 models of locks** with different mechanisms, so as to reach the **Performance Level required (PLr)** for control systems.



GET TO KNOW MORE

### Which lock is right for you?

#### Control Systems and Performance Level Required

The **EN ISO 13849-1 Standard** defines the requirements to design and construct **control systems and their parts for the safety of machinery**. Among these, **locks installed on the Guards** are part of control systems.

Determining the safety functions performed by control systems is an important step for risk reduction. Each safety function is associated to a **Required Performance Level (PLr)**, i.e. the Performance Level to be reached in order to achieve the required

**150+** Locking Solutions available

risk reduction for each safety function. Performance Levels are determined by the following: **severity of injury, frequency and/or exposure to a hazard** and the **possibility of avoiding hazard or limiting harm**.

The greater the amount of risk reduction required, the higher the PLr must be. It is for this reason that **different locks fulfill different safety needs**.



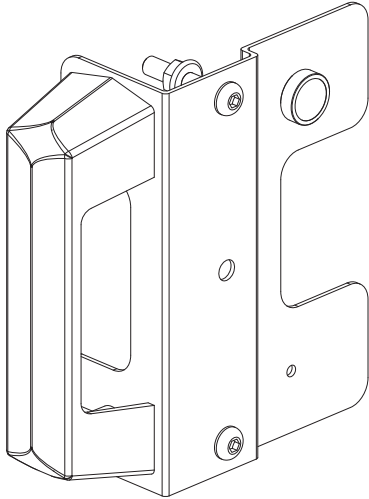
IMPORTANT

Risk assessment as well as the determination of safety functions and performance levels are the sole responsibility of the customer. Satech is limited to the sale of products and assumes no responsibility if the locking system purchased covers a Performance Level that is not appropriate for the corresponding control system.

**Proper risk assessment conducted by experienced and qualified professionals will tell you which locking system is the right choice for you.**

## Magnet Lock

Ergonomics and safety



MIN. ORDER PREPARATION TIME:  
**6 BUSINESS DAYS**

Lock consisting of a plate with a high-visibility ergonomic handle and a supermagnet that secures the door in place. Ideal when there is **no risk** involved.



### VERSIONS AVAILABLE

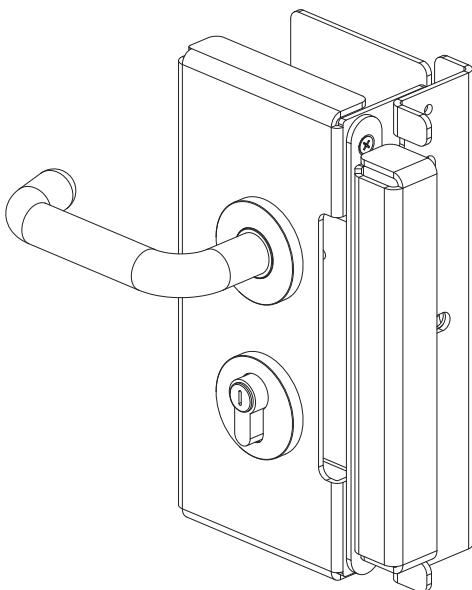
✓ Magnet

### MAX. PLr

Not applicable

## Mechanical Locks

Versatility and functionality



MIN. ORDER PREPARATION TIME:  
**6 BUSINESS DAYS**

Locks suitable for situations where **the risk is low**, e.g. for the partitioning of areas. They provide perfect integration with brackets and Safety Switches.



### VERSIONS AVAILABLE

✓ With key

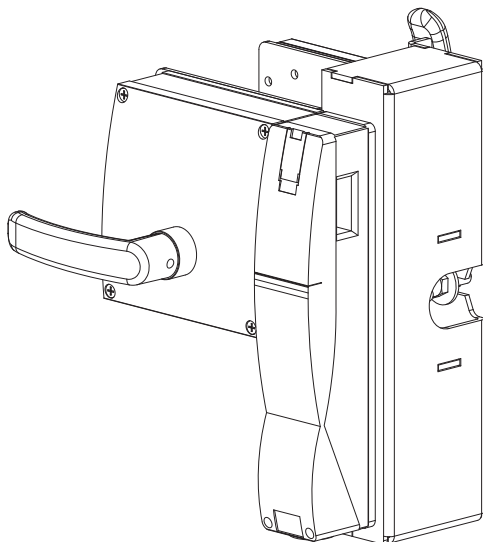
✓ With panic handle

### MAX. PLr

Not applicable

## Interlocked Locks

Maximum protection of operators and processes



MIN. ORDER PREPARATION TIME:  
**6 BUSINESS DAYS**

Device connected to the machine control system. When in open position, it stops the machine from working. Suitable in the presence of **high risk**.



### VERSIONS AVAILABLE

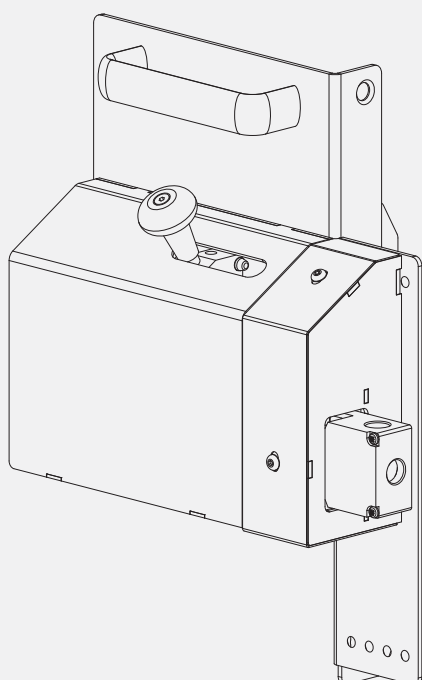
- ✓ Interlocks from leading manufacturers (Schmersal, Euchner, Pizzato, Pilz...)

### MAX. PLr

**E**

## D-FenceLock

Durability and reliability



MIN. ORDER PREPARATION TIME:  
**6 BUSINESS DAYS**

The Satech D-FenceLock with **integrated Safety Switch** features a Safety Switch or an interlock, panic release and hold-open device to prevent accidental lockups.



### VERSIONS AVAILABLE

- ✓ D-FenceLock 3
- ✓ D-FenceLock 4

### MAX. PLr

**C**  
D-FenceLock 3

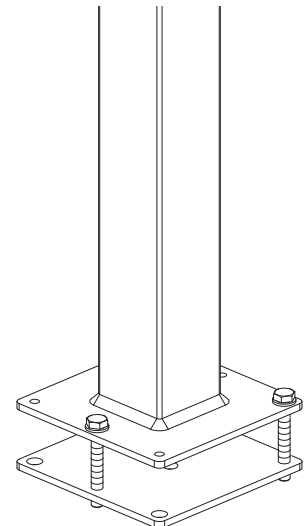
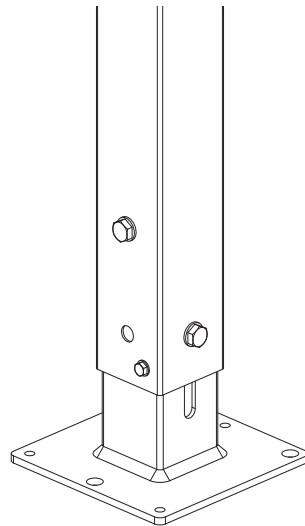
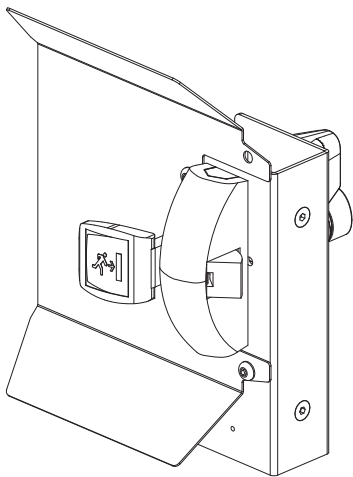
**D**  
D-FenceLock 4



# Accessories and Brackets

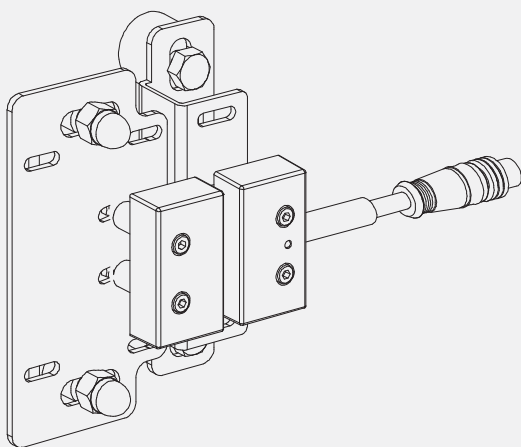
## Personalization and functionality

A complete range of accessories and assembly complements designed for the completion and personalization of your Perimeter Guard. On top of that, a choice of over 90 brackets for Safety Switches, Locks and Interlocks compatible with systems from leading manufacturers.



### Brackets

for Safety Switches  
and Locking Systems



6-20

MIN. ORDER PREPARATION TIME:  
**6 TO 20 BUSINESS DAYS**

More than 60 types of brackets for **type 2** (key) and **type 4** (magnet) **Safety Switches**. Compatible with products from leading manufacturers such as Allen Bradley, Bernstein, Leuze, Omron, Pilz, Pizzato, Schmersal, Sick, Siemens, Telemecanique-Schneider, etc. Our catalog of **brackets for locking systems and safety interlocks** features more than 30 standard models, designed for products by Allen Bradley, Dold, Euchner, Fortress, Guard Master, Omron, Pilz, Pizzato, Rockwell, Schmersal, Siemens, Sick, Telemecanique-Schneider, etc.

CustomGuard brackets, on the other hand, are custom designed for any type of Safety Switch, lock and interlock.

#### VERSIONS AVAILABLE

- ✓ All major brands
- ✓ CustomGuard (custom design)

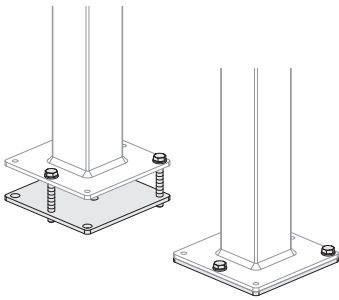
#### COMPATIBILITY

Hinged doors, folding doors, sliding doors (linear and vertical opening movement)

**90+** Models  
available

**NEW**

## Ground Counterplate



MIN. ORDER PREPARATION TIME:  
**6 BUSINESS DAYS**

Plate for counter-fixing posts to non-drillable metal surfaces or grating floors (max. thickness 30 mm)

### VERSIONS AVAILABLE

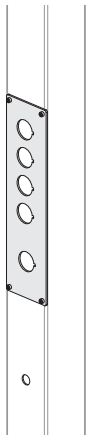
- ✓ galvanized (for gratings)
- ✓ steel (for welding)

### COMPATIBILITY



**NEW**

## Ready2Go Post



MIN. ORDER PREPARATION TIME:  
**6 BUSINESS DAYS**

Post featuring housing for interlocks electronics as well as for control panels. Comes ready for wiring.

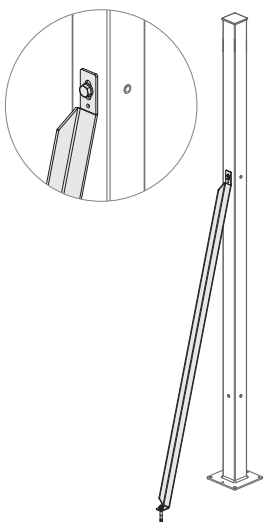
### VERSIONS AVAILABLE

- ✓ 60 x 60 mm

### COMPATIBILITY



## Stabilizing Post support strut



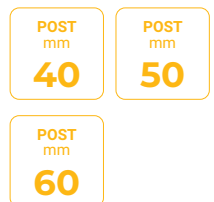
MIN. ORDER PREPARATION TIME:  
**6 BUSINESS DAYS**

The support strut helps reinforcing posts subjected to significant horizontal dynamic loads as well as the ones that are placed in critical layout positions.

### VERSIONS AVAILABLE

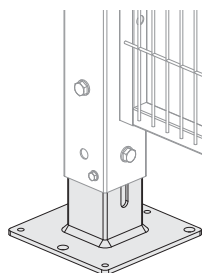
- ✓ 40 x 40 mm

### COMPATIBILITY





## Adjustable Baseplate



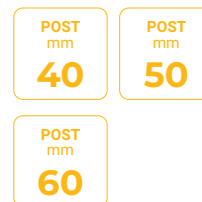
MIN. ORDER PREPARATION TIME:  
**6 BUSINESS DAYS**

Designed to adjust posts footing for uneven floors in industrial settings. Adjustable up to 100 mm, for all types of posts.

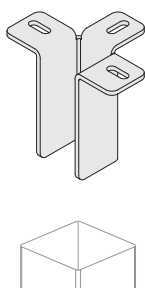
### VERSIONS AVAILABLE

- ✓ 40 x 40 mm
- ✓ 50 x 50 mm
- ✓ 60 x 60 mm

### COMPATIBILITY



## Cable Duct Support



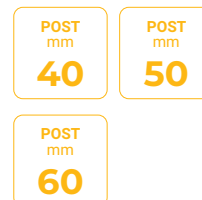
MIN. ORDER PREPARATION TIME:  
**6 BUSINESS DAYS**

Fast-coupling cable duct support to fasten the cable duct directly to the post. Ergonomically shaped with no sharp edges for improved safety.

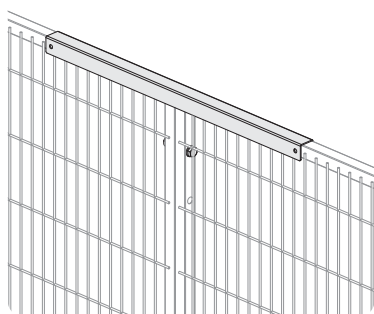
### VERSIONS AVAILABLE

- ✓ 40 x 40 mm
- ✓ 50 x 50 mm
- ✓ 60 x 60 mm

### COMPATIBILITY



## Reinforced linear Junction



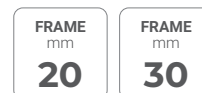
MIN. ORDER PREPARATION TIME:  
**6 BUSINESS DAYS**

Joins two panels without using a central post, e.g. in the presence of obstructions (cables, pipes, etc.), optimizing assembly and material costs.

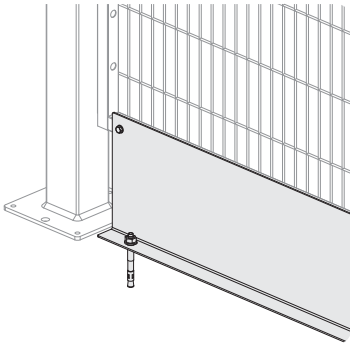
### VERSIONS AVAILABLE

- ✓ 20 x 20 mm
- ✓ 30 x 30 mm

### COMPATIBILITY



## Ground Kick Plate



MIN. ORDER PREPARATION TIME:  
**6 BUSINESS DAYS**

Made of 2 mm metal sheet, it fills the gap between the panel and the floor to contain the ejection of residues (waste, scraps...) from production processes.

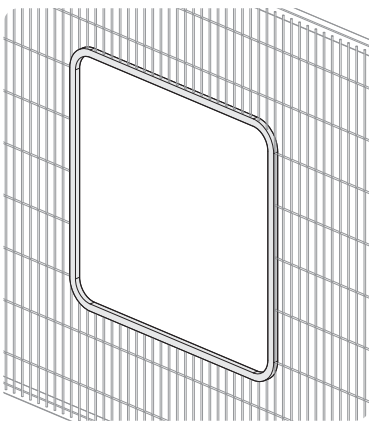
### VERSIONS AVAILABLE

- ✓ For framed panels
- ✓ For AdaptaGuard panels

### COMPATIBILITY

FRAME mm <b>20</b>	FRAME mm <b>30</b>
FRAMELESS AdaptaGuard	

## Rubber Profile



MIN. ORDER PREPARATION TIME:  
**6 BUSINESS DAYS**

A gasket made from a steel-reinforced rubber profile for the finishing of panel cutout shapes made on-site.

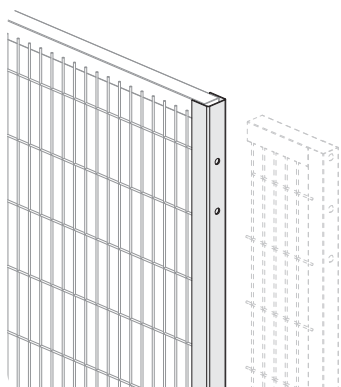
### VERSIONS AVAILABLE

- ✓ Universal - different sizes available

### COMPATIBILITY

FRAME mm <b>20</b>	FRAME mm <b>30</b>
FRAMELESS AdaptaGuard	

## Cutting Kit for framed panels



MIN. ORDER PREPARATION TIME:  
**6 BUSINESS DAYS**

Kit for the resizing and trimming of framed panels. It consists of a cut-to-size tube, a U-profile and self-drilling screws.

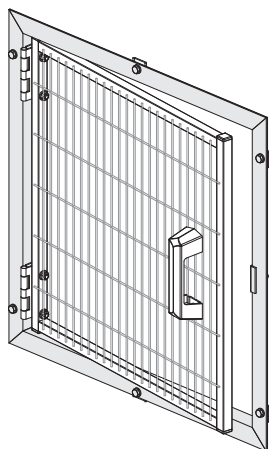
### VERSIONS AVAILABLE

- ✓ 20 x 20 mm
- ✓ 30 x 30 mm
- ✓ Different sizes available

### COMPATIBILITY

FRAME mm <b>20</b>	FRAME mm <b>30</b>
--------------------------	--------------------------

## Insert with door



MIN. ORDER PREPARATION TIME:  
**6 BUSINESS DAYS**

Openings with inserts for inspections or sampling operations for statistical process control. It can be coupled with Safety Switches or interlocks.

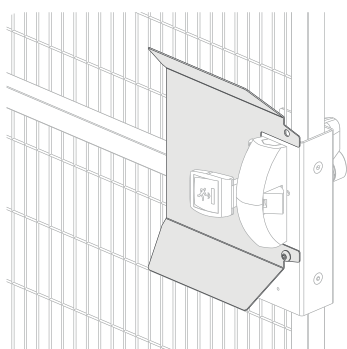
### VERSIONS AVAILABLE

- ✓ 400 x 400 mm
- ✓ 600 x 600 mm

### COMPATIBILITY

FRAME mm	FRAME mm
<b>20</b>	<b>30</b>

## Anti-effraction plate for panic locks



MIN. ORDER PREPARATION TIME:  
**6 BUSINESS DAYS**

Specifically designed for panic locks, it prevents the access to the emergency release from outside the safety perimeter.

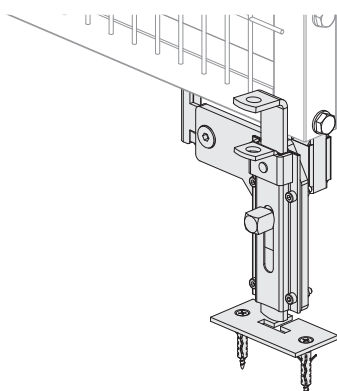
### VERSIONS AVAILABLE

- ✓ Universal

### COMPATIBILITY

FRAME mm	FRAME mm
<b>20</b>	<b>30</b>

## Ground latch for doors



MIN. ORDER PREPARATION TIME:  
**6 BUSINESS DAYS**

Device designed to provide greater stiffness to doors when closed. Especially suitable for single/double hinged doors as well as for folding doors.

### VERSIONS AVAILABLE

- ✓ Universal

### COMPATIBILITY

FRAME mm	FRAME mm
<b>20</b>	<b>30</b>



# CustomGuard

## Your personalized Solution

We provide solutions with different levels of customization: colors, finishes, shapes, dimensions, as well as custom-made products such as brackets for accessories or Safety Switches and automated openings. Need adaptations, cuts or cutouts? Our CustomGuard Department will do that for you.

### Color

An endless choice of hues

Thanks to our three-cabin automated powder coating line we are able to manufacture **panels, posts and accessories in any RAL color**, either with a smooth or pebbled finish. We will also provide you recommendations about the Guard color that best fits your Machinery in accordance with the requirements set by Safety Standards (EN ISO 14120 - 5.9).



MIN. ORDER PREPARATION TIME:  
**+5 BUSINESS DAYS**



### Anti-corrosion Finishes

Galvanizing and Triplex System

Our Guards can be completed with **hot-dip galvanizing**, a process that extends their life by protecting the steel from corrosion and weathering. To ensure even greater durability, our TRIPLEX System completes the **rustproofing** provided by hot-dip galvanizing with a **powder coating surface finish**.



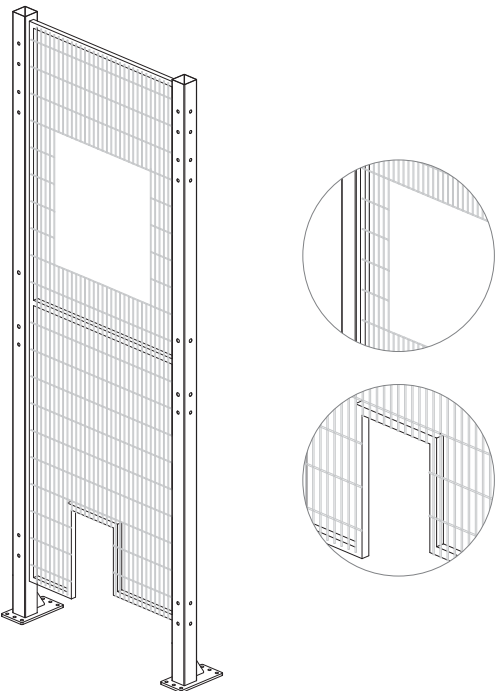
MIN. ORDER PREPARATION TIME:  
**+17 BUSINESS DAYS**



# CustomGuard Panels

FRAME mm  
**20**      FRAME mm  
**30**

 MIN. ORDER PREPARATION TIME:  
**11 BUSINESS DAYS**



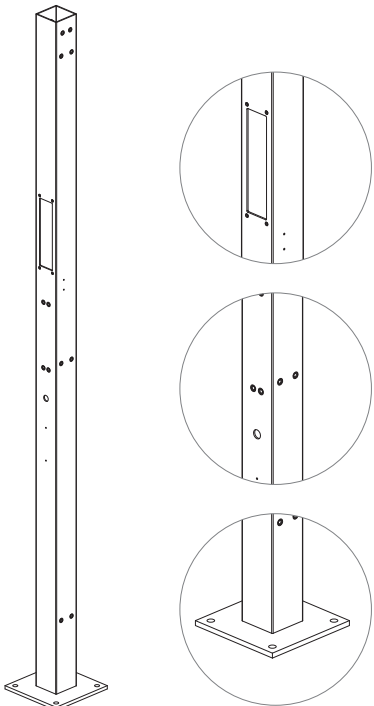
**Panels with personalized dimensions** or with **profile shapes and cutout shapes** to adapt the Guards to protruding parts of machinery, such as conveyors for loading or unloading, control panels, electrical and hydraulic lines.



# CustomGuard Posts

LARGER SECTIONS mm  
**≥ 80**

 MIN. ORDER PREPARATION TIME:  
**14 BUSINESS DAYS**

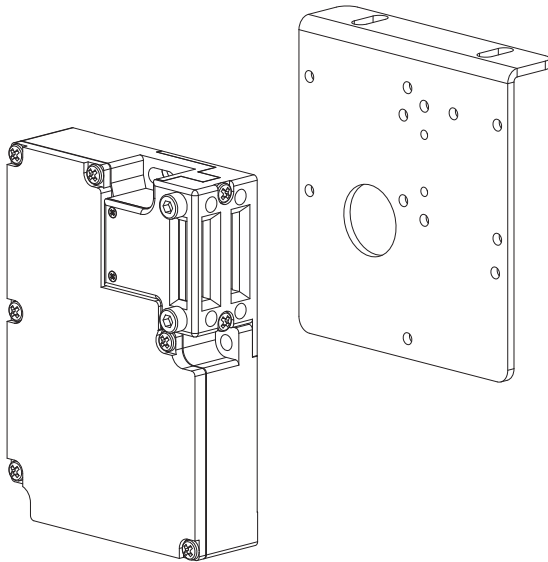


**Posts with non-standard heights** or with **larger sections** to ensure maximum stability. **Drillings** for the installation of accessories or locking systems. **Laser cuts** to create housings for electronic devices, for the installment of light barriers, etc.





## CustomGuard Brackets



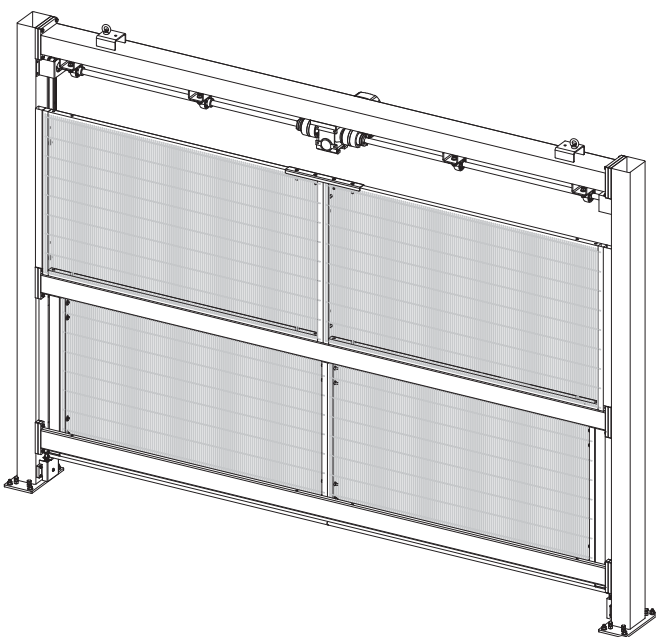
14

MIN. ORDER PREPARATION TIME:  
14 BUSINESS DAYS

We create **custom brackets** for Safety Switches and interlocks. The database of our personalized Solutions includes several thousand designs, but our technical designers are always available to help you create your own bracket.



## CustomGuard Doors



25-35

MIN. ORDER PREPARATION TIME:  
25 TO 35 BUSINESS DAYS

**Vertical-opening** solutions for space-saving and **sliding doors** with openings up to 15 meters. CustomGuard doors can be manually operated, pneumatic or motorized.



### OPTIONS AVAILABLE

- ✓ Dimensions
- ✓ Types of movement
- ✓ Manual
- ✓ Pneumatic
- ✓ Motorized

### OPENINGS

upon request -  
up to 15 meters

### IDEAL FOR





# Satech**Lab**

## Consulting and turnkey projects

A personalized project comes to life when your needs meet our experience. Inspection, analysis, design, testing: we listen to your ideas and turn them into the most effective and convenient solution.



### Expert and qualified **Professionals**

Satech**Lab** is the Team of professionals at your disposal to perform site surveys, collect the necessary information and develop your turnkey project. Automated doors, complex structures, custom designs: we help you find the best solution for the safety of your industrial facility. In addition to consulting, Satech**Lab** provides several value-added services.



**COMPLETE MANAGEMENT**  
OF YOUR TAILOR-MADE  
PROJECT



**OPTIMIZATION**  
OF COMPONENTS



Value-added  
Services

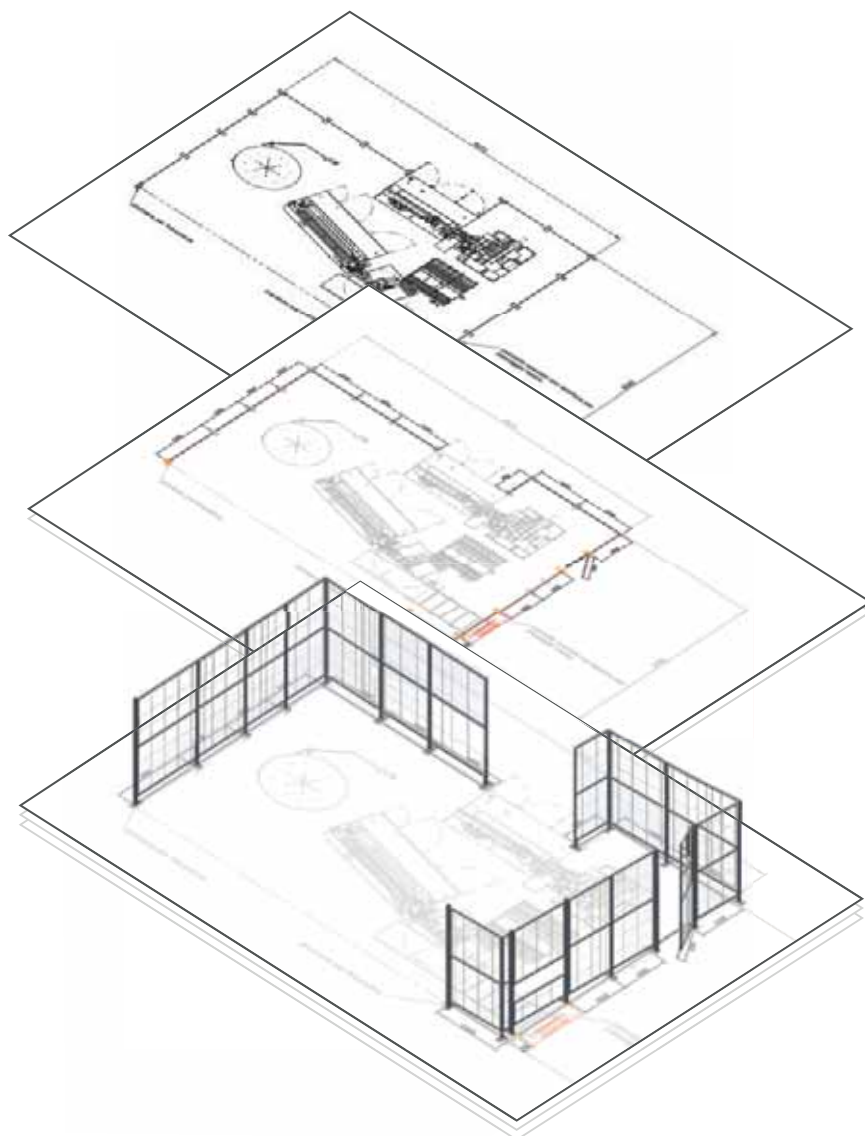
**Training**  
of your operators

SatechLab's **Training Center** is available to organize training sessions with your installers team on the assembly of Satech Solutions, both Standard and Custom.



**Test Center**  
Assembly and  
Impact Tests

The **Test Center** is the place where assembly tests of the proposed Solutions are conducted before drafting their dedicated assembly instructions. EN ISO 14120 **Impact Tests** can also be performed upon request.



**Collaborations**

**A network of external partners**

Over the years SatechLab has developed a network of external laboratories and professionals with whom it collaborates continuously to meet any need.



IMPACT TEST  
EN ISO 14120



## Pre-assembly Service

Pre-assembly of doors, locking systems, panels, electrical pre-wiring and verification tests

By requesting our v-assembly service, we will take care of assembling doors, panels, locks, handles, Safety Switches and on-board electronics of your Guards at our facility.

The components will be delivered to you **ready to be installed**, saving the installers of your Perimeter Guard a **significant amount of time**.



## On-site assembly Service

All the assistance you need for the installation of your Perimeter Guards

Our assembly teams are available anywhere in the world to **assemble your Guards**. The operators are **experienced professionals** trained at the Satech Technical Center in Bulciago (Italy), a facility equipped with the whole range of our products to practice full-scale assembly.



**TIME SAVING**  
FOR ASSEMBLY



**REDUCTION OF**  
**POTENTIAL MISTAKES**  
DURING ASSEMBLY



## Customer Service

Always by your side

Invoices, delivery notes, Declarations of Conformity, Declarations of origin, product catalogs and leaflets: we take care of all the documentation you need to complete your order.

Our operators will also provide you with updates on the status of current orders, including expected departure and delivery dates.

**15** Sales assistants  
Ready to help you

## Guide to our products

Our Customer Service will guide you in choosing Satech products, clear up any doubts and refer you to our Quotations Department **for a free, no-obligation quote.**

## Questions about orders?

Our Customer Service is available to help you with **complete assistance** and to find answers to all your questions.

**+39.031.8623.085**

# Modular Machine Guards that fit your needs.

Tailor-made Solutions for the safety of operators and machinery



Protecting workers and machinery is paramount to create a safe and productive work environment. Satech Modular Machine Guards Systems, Doors and Accessories provide tailor-made Solutions for any machinery layout need.

**3 framed Systems, 2 frameless Systems, doors, accessories and a wide range of locking systems** ensure the maximum level of protection when accessing hazard areas for inspection or machinery maintenance.

## Perimeter Protection Machine Safety Guards compliant with European and International Standards

Satech Machine Guards are manufactured in compliance with the **EN ISO 14120 Standard**, "General requirements for the design and construction of fixed and movable Guards". They can be installed at a minimum distance of **120 mm from hazard** (in accordance with EN ISO 13857), saving you valuable layout space.

All Satech products are manufactured with **quality materials** and are highly durable. Mesh panels can be easily connected to posts with quick assembly systems (equipped with captive retained fastenings, in accordance with 2006/42/CE - Machinery Directive), which allows you to **greatly reduce assembly time**.

Satech is the first Italian manufacturer of Modular Machine Guards. A **modern international company** today, in its 20+ years of work it has contributed to the safety of thousands of automated machinery systems and the protection of millions of people worldwide.



## Need a quotation?

If you're looking for a **free, no-obligation quote**, just go to

[www.satech.it/en](http://www.satech.it/en)

**QUICK  
Contact**



**SATECH**  
Modular Machine Guards

Satech Safety Technology SpA

Via Conte Taverna, 1  
I-23892 Bulciago (LC)  
Phone +39 031 86230 11

